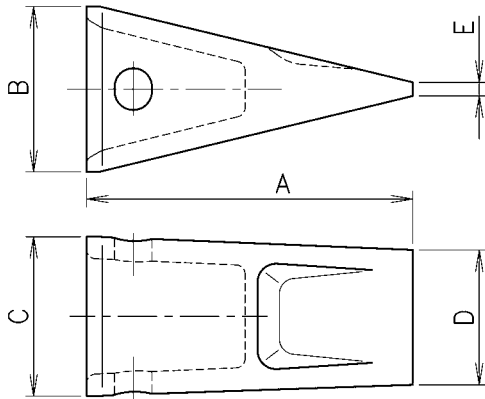


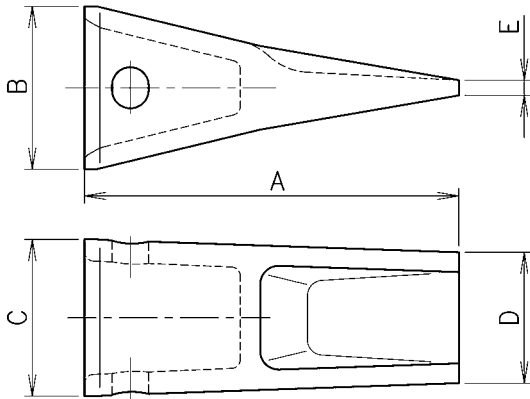
- Punta short
- Short tips
- Kurze Spitzen
- Pointes courtes



NS. RIF. OUR REF. U/REF. NOTRE REF.	N. ORIGINALE ORIGINAL P/N ORIGINAL-NR. N. ORIGINAL	GRANDEZZA (") SIZE (") KLASSE (") CLASSE (")	PESO (KG) WEIGHT GEWICHT POIDS	DIMENSIONI - DIMENSIONS ABMESSUNGEN - DIMENSIONS					PORTAPUNTA ADAPTERS HALTER ADAPTEUR	PERNO PIN KEIL AXE	ANELLO LINK RING RONDELLE
				A	B	C	D	E			
<b>C0</b>	<b>1U3201</b>	<b>2</b>	1,1	138	62	56	50	5	<b>C01 (4T1204)</b> <b>C02/7 (8J7525)</b> <b>C0B (9J4207)</b>	<b>8E6208</b>	<b>8E6209</b>
<b>C102</b>	<b>6Y6221</b>	<b>2,2</b>	1,7	155	80	65	50	5	<b>C101E (6Y3224)</b>	<b>6Y3228</b> <b>132-4762</b>	<b>8E6259</b>
<b>C2</b>	<b>1U3251</b>	<b>2,5</b>	2,6	170	83	76	65	8	<b>C1 (1U1254)</b> <b>C1EA (119-3253)</b> <b>C1B (1U0257)</b>	<b>8E6258</b> <b>132-4763</b>	<b>8E6259</b>
<b>C7</b>	<b>1U3301</b>	<b>3</b>	3,9	195	96	88,4	76	8	<b>C6 (1U1304)</b> <b>C6E (3G6304)</b> <b>C6B2 (4T4307)</b>	<b>9J2308</b> <b>132-4766</b>	<b>8E6259</b>
<b>C12</b>	<b>1U3351</b>	<b>3,5</b>	5,4	210	107	99	88	8	<b>C11 (1U1354)</b> <b>C11EA (6I6354)</b> <b>C11B3 (3G3357)</b>	<b>8E6358</b> <b>114-0358</b>	<b>8E6359</b>
<b>C117</b>	<b>7T3401</b>	<b>4</b>	9	237	126	119	102	8	<b>C116 (107-3404)</b> <b>C116E (6I6404)</b> <b>C116PHD (125-8404)</b>	<b>7T3408</b> <b>116-7408</b>	<b>8E8409</b>
<b>C17</b>	<b>9W8451</b>	<b>4,6</b>	10,6	260	126	128	112	10	<b>C16X (8E0464)</b> <b>C16EX (159-0464)</b> <b>C16PHDX (114-0464)</b>	<b>8E0468</b> <b>114-0468</b>	<b>8E8469</b>
<b>C22R</b>	<b>9W8551</b>	<b>5,5</b>	14,9	280	145	154	140	10	<b>C21 (7J9554)</b> <b>C21E (6I6554)</b> <b>C21PHD (138-6554)</b>	<b>6Y8558</b> <b>107-3378</b>	<b>8E5559</b>
<b>C77</b>	<b>6I6601</b>	<b>6</b>	28,7	340	186	195	170	12,5	<b>C76E (6I6604)</b> <b>C76PHD (119-8604)</b>	<b>6I6608</b> <b>113-9608</b>	<b>6I6609</b>

Tutti i numeri, simboli, e denominazioni originali sono usati soltanto per riferimento, e non si deve in alcun modo intendere che i pezzi elencati siano originali.  
All manufacturers' name, numbers, symbols and descriptions are used for reference purpose only, and it is not implied that any part listed is the product of these manufacturers.

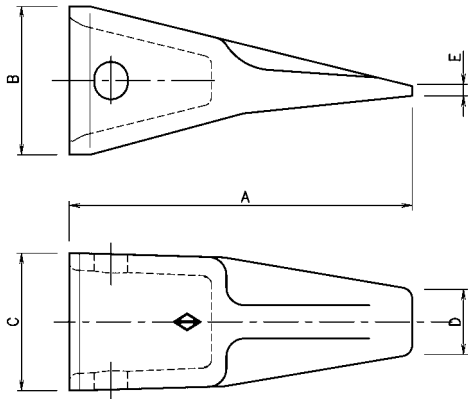
- Punta long
- Long tips
- Lange Spitzen
- Pointes longues



NS. RIF. OUR REF. U/REF. NOTRE REF.	N. ORIGINALE ORIGINAL P/N ORIGINAL-NR. N. ORIGINAL	GRANDEZZA (") SIZE (") KLASSE (") CLASSE (")	PESO (KG) WEIGHT GEWICHT POIDS	DIMENSIONI - DIMENSIONS ABMESSUNGEN - DIMENSIONS					PORTAPUNTA ADAPTERS HALTER ADAPTEUR	PERNO PIN KEIL AXE	ANELLO LINK RING RONDELLE
				A	B	C	D	E			
<b>C05</b>	<b>1U3202</b>	<b>2</b>	1,2	146	62	56	50	5	<b>C01 (4T1204)</b> <b>C02/7 (8J7525)</b> <b>C0B (9J4207)</b>	<b>8E6208</b>	<b>8E6209</b>
<b>C103</b>	<b>6Y3222</b>	<b>2,2</b>	2,1	170	80	68	56	5	<b>C101E (6Y3224)</b>	<b>6Y3228</b> <b>132-4762</b>	<b>8E6259</b>
<b>C3</b>	<b>1U3252</b>	<b>2,5</b>	3	198	86	76	64	8	<b>C1 (1U1254)</b> <b>C1EA (119-3253)</b> <b>C1B (1U0257)</b>	<b>8E6258</b> <b>132-4763</b>	<b>8E6259</b>
<b>C8</b>	<b>1U3302</b>	<b>3</b>	4,2	220	96	88	73	7	<b>C6 (1U1304)</b> <b>C6E (3G6304)</b> <b>C6B2 (4T4307)</b>	<b>9J2308</b> <b>132-4766</b>	<b>8E6259</b>
<b>C13</b>	<b>1U3352</b>	<b>3,5</b>	5,9	245	107	103	84	10	<b>C11 (1U1354)</b> <b>C11EA (6I6354)</b> <b>C11B3 (3G3357)</b>	<b>8E6358</b> <b>114-0358</b>	<b>8E6359</b>
<b>C118</b>	<b>7T3402</b>	<b>4</b>	9,7	267	124	119	107	8	<b>C116 (107-3404)</b> <b>C116E (6I6404)</b> <b>C116PHD (125-8404)</b>	<b>7T3408</b> <b>116-7408</b>	<b>8E8409</b>
<b>C18</b>	<b>9W8452</b>	<b>4,6</b>	10	290	126	128	110	10	<b>C16X (8E0464)</b> <b>C16EX (159-0464)</b> <b>C16PHDX (114-0464)</b>	<b>8E0468</b> <b>114-0468</b>	<b>8E8469</b>
<b>C23R</b>	<b>9W8552</b>	<b>5,5</b>	17,3	336	145	154	140	12	<b>C21 (7J9554)</b> <b>C21E (6I6554)</b> <b>C21PHD (138-6554)</b>	<b>6Y8558</b> <b>107-3378</b>	<b>8E5559</b>
<b>C78</b>	<b>6I6602</b>	<b>6</b>	31.5	395	186	195	173	12	<b>C76E (6I6604)</b> <b>C76PHD (119-8604)</b>	<b>6I6608</b> <b>113-9608</b>	<b>6I6609</b>

Tutti i numeri, simboli, e denominazioni originali sono usati soltanto per riferimento, e non si deve in alcun modo intendere che i pezzi elencati siano originali.  
All manufacturers' name, numbers, symbols and descriptions are used for reference purpose only, and it is not implied that any part listed is the product of these manufacturers.

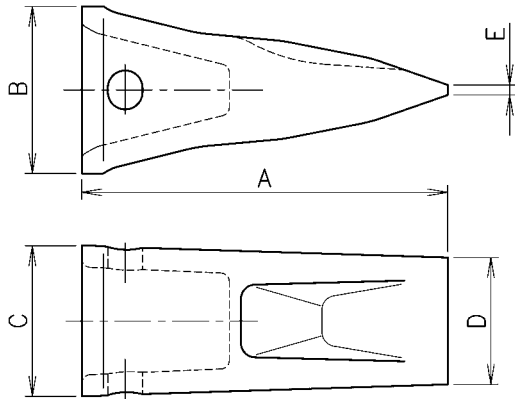
- Punta penetration
- Penetration tips
- Penetrations-Spitzen
- Pointes penetration



NS. RIF. OUR REF. U/REF. NOTRE REF.	N. ORIGINALE ORIGINAL P/N ORIGINAL-NR. N. ORIGINAL	GRANDEZZA (") SIZE (") KLASSE (") CLASSE (")	PESO (KG) WEIGHT GEWICHT POIDS	DIMENSIONI - DIMENSIONS ABMESSUNGEN - DIMENSIONS					PORTAPUNTA ADAPTERS HALTER ADAPTEUR	PERNO PIN KEIL AXE	ANELLO LINK RING RONDELLE
				A	B	C	D	E			
<b>C07</b>	<b>1U3209</b>	<b>2</b>	1	150	62	56	27	5	<b>C01 (4T1204)</b> <b>C02/7 (8J7525)</b> <b>C0B (9J4207)</b>	<b>8E6208</b>	<b>8E6209</b>
<b>C142</b>	<b>6Y8229</b>	<b>2,2</b>	2,2	170	80	65	28	5	<b>C101E (6Y3224)</b>	<b>6Y3228</b> <b>132-4762</b>	<b>8E6259</b>
<b>C42</b>	<b>9J4259</b>	<b>2,5</b>	2,4	190	83	76	33	7	<b>C1 (1U1254)</b> <b>C1EA (119-3253)</b> <b>C1B (1U0257)</b>	<b>8E6258</b> <b>132-4763</b>	<b>8E6259</b>
<b>C43</b>	<b>9J4309</b>	<b>3</b>	3,5	218	96	88,4	38	7	<b>C6 (1U1304)</b> <b>C6E (3G6304)</b> <b>C6B2 (4T4307)</b>	<b>9J2308</b> <b>132-4766</b>	<b>8E6259</b>
<b>C44</b>	<b>9J4359</b>	<b>3,5</b>	5,3	246	107	99	47	7	<b>C11 (1U1354)</b> <b>C11EA (6I6354)</b> <b>C11B3 (3G3357)</b>	<b>8E6358</b> <b>114-0358</b>	<b>8E6359</b>
<b>C145</b>	<b>6Y7409</b>	<b>4</b>	8,2	265	125	119	50	8	<b>C116 (107-3404)</b> <b>C116E (6I6404)</b> <b>C116PHD (125-8404)</b>	<b>7T3408</b> <b>116-7408</b>	<b>8E8409</b>
<b>C45</b>	<b>9W8459</b>	<b>4,6</b>	10	290	126	128	53	10	<b>C16X (8E0464)</b> <b>C16EX (159-0464)</b> <b>C16PHDX (114-0464)</b>	<b>8E0468</b> <b>114-0468</b>	<b>8E8469</b>
<b>C47/1</b>	<b>9W8559</b>	<b>5,5</b>	14	330	145	154	66	12	<b>C21 (7J9554)</b> <b>C21E (6I6554)</b> <b>C21PHD (138-6554)</b>	<b>6Y8558</b> <b>107-3378</b>	<b>8E5559</b>
<b>C81</b>	<b>7I7609</b>	<b>6</b>	28	390	186	195	82	13	<b>C76E (6I6604)</b> <b>C76PHD (119-8604)</b>	<b>6I6608</b> <b>113-9608</b>	<b>6I6609</b>

Tutti i numeri, simboli, e denominazioni originali sono usati soltanto per riferimento, e non si deve in alcun modo intendere che i pezzi elencati siano originali.  
All manufacturers' name, numbers, symbols and descriptions are used for reference purpose only, and it is not implied that any part listed is the product of these manufacturers.

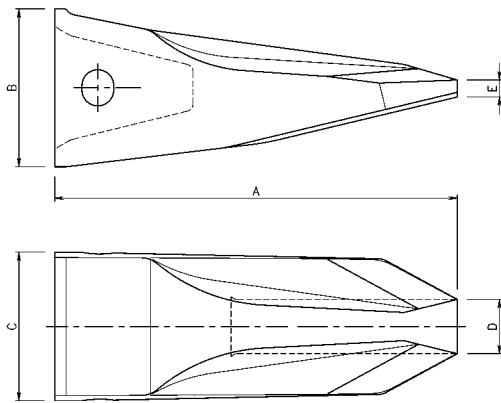
- Punta heavy duty long
- Heavy duty long tips
- Heavy-Duty-Long-Spitzen
- Pointes heavy duty long



NS. RIF. OUR REF. U/REF. NOTRE REF.	N. ORIGINALE ORIGINAL P/N ORIGINAL-NR. N. ORIGINAL	GRANDEZZA (") SIZE (") KLASSE (") CLASSE (")	PESO (KG) WEIGHT GEWICHT POIDS	DIMENSIONI - DIMENSIONS ABMESSUNGEN - DIMENSIONS					PORTAPUNTA ADAPTERS HALTER ADAPTEUR	PERNO PIN KEIL AXE	ANELLO LINK RING RONDELLE
				A	B	C	D	E			
<b>C103LR</b>	<b>8E4222</b>	<b>2,2</b>	2.5	177	80	65	50	6	<b>C101E (6Y3224)</b>	<b>6Y3228</b> <b>132-4762</b>	<b>8E6259</b>
<b>C3LR</b>	<b>9N4252</b>	<b>2,5</b>	3,7	200	94	78	61	8	<b>C1 (1U1254)</b> <b>C1EA (119-3253)</b> <b>C1B (1U0257)</b>	<b>8E6258</b> <b>132-4763</b>	<b>8E6259</b>
<b>C8LR</b>	<b>9N4302</b>	<b>3</b>	5,2	223	106	91	69	7	<b>C6 (1U1304)</b> <b>C6E (3G6304)</b> <b>C6B2 (4T4307)</b>	<b>9J2308</b> <b>132-4766</b>	<b>8E6259</b>
<b>C13LR</b>	<b>9N4352</b>	<b>3,5</b>	8,3	253	116	104,5	88	7	<b>C11 (1U1354)</b> <b>C11EA (6I6354)</b> <b>C11B3 (3G3357)</b>	<b>8E6358</b> <b>114-0358</b>	<b>8E6359</b>
<b>C118LR</b>	<b>8E4402</b>	<b>4</b>	11	278	130	119	101	8	<b>C116 (107-3404)</b> <b>C116E (6I6404)</b> <b>C116PHD (125-8404)</b>	<b>7T3408</b> <b>116-7408</b>	<b>8E8409</b>
<b>C18LR</b>	<b>9N4452</b>	<b>4,6</b>	16,1	310	142	138	116	10	<b>C16X (8E0464)</b> <b>C16EX (159-0464)</b> <b>C16PHDX (114-0464)</b>	<b>8E0468</b> <b>114-0468</b>	<b>8E8469</b>
<b>C23LR</b>	<b>9N4552</b>	<b>5,5</b>	24,7	352	164	162	145	11	<b>C21 (7J9554)</b> <b>C21E (6I6554)</b> <b>C21PHD (138-6554)</b>	<b>6Y8558</b> <b>107-3378</b>	<b>8E5559</b>
<b>C78LR</b>	<b>7Y0602</b>	<b>6</b>	40.5	415	200	195	170	11	<b>C76E (6I6604)</b> <b>C76PHD (119-8604)</b>	<b>6I6608</b> <b>113-9608</b>	<b>6I6609</b>

Tutti i numeri, simboli, e denominazioni originali sono usati soltanto per riferimento, e non si deve in alcun modo intendere che i pezzi elencati siano originali.  
All manufacturers' name, numbers, symbols and descriptions are used for reference purpose only, and it is not implied that any part listed is the product of these manufacturers.

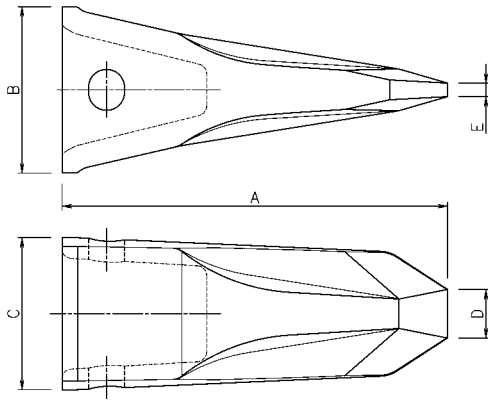
- Punta heavy duty abrasion
- Heavy duty abrasion tips
- Heavy-Duty-Abrasion-Spitzen
- Pointes heavy duty abrasion



NS. RIF. OUR REF. U/REF. NOTRE REF.	N. ORIGINALE ORIGINAL P/N ORIGINAL-NR. N. ORIGINAL	GRANDEZZA (") SIZE (") KLASSE (") CLASSE (")	PESO (KG) WEIGHT GEWICHT POIDS	DIMENSIONI - DIMENSIONS ABMESSUNGEN - DIMENSIONS					PORTAPUNTA ADAPTERS HALTER ADAPTEUR	PERNO PIN KEIL AXE	ANELLO LINK RING RONDELLE
				A	B	C	D	E			
<b>C3RP2</b>		<b>2,5</b>							<b>C1 (1U1254)</b> <b>C1EA (119-3253)</b> <b>C1B (1U0257)</b>	<b>8E6258</b> <b>132-4763</b>	<b>8E6259</b>
<b>C8RP2</b>	<b>135-9300</b>	<b>3</b>	6.6	250	108	88	30	9.2	<b>C6 (1U1304)</b> <b>C6E (3G6304)</b> <b>C6B2 (4T4307)</b>	<b>9J2308</b> <b>132-4766</b>	<b>8E6259</b>
<b>C13RP2</b>	<b>144-1358</b>	<b>3,5</b>	10.7	290	120	110	35	10.9	<b>C11 (1U1354)</b> <b>C11EA (6I6354)</b> <b>C11B3 (3G3357)</b>	<b>8E6358</b> <b>114-0358</b>	<b>8E6359</b>
<b>C118RP2</b>	<b>135-9400</b>	<b>4</b>	14.8	312	130	119	35	15	<b>C116 (107-3404)</b> <b>C116E (6I6404)</b> <b>C116PHD (125-8404)</b>	<b>7T3408</b> <b>116-7408</b>	<b>8E8409</b>
<b>C18RP2</b>	<b>138-6451</b>	<b>4,6</b>	19.6	355	140	132	48	15	<b>C16X (8E0464)</b> <b>C16EX (159-0464)</b> <b>C16PHDX (114-0464)</b>	<b>8E0468</b> <b>114-0468</b>	<b>8E8469</b>
<b>C23RP3</b>	<b>138-6552</b>	<b>5,5</b>	29.8	385	154	160	50	19	<b>C21 (7J9554)</b> <b>C21E (6I6554)</b> <b>C21PHD (138-6554)</b>	<b>6Y8558</b> <b>107-3378</b>	<b>8E5559</b>
<b>C78RP2</b>	<b>135-9600</b>	<b>6</b>	56	450	200	195	65	22	<b>C76E (6I6604)</b> <b>C76PHD (119-8604)</b>	<b>6I6608</b> <b>113-9608</b>	<b>6I6609</b>

Tutti i numeri, simboli, e denominazioni originali sono usati soltanto per riferimento, e non si deve in alcun modo intendere che i pezzi elencati siano originali.  
All manufacturers' name, numbers, symbols and descriptions are used for reference purpose only, and it is not implied that any part listed is the product of these manufacturers.

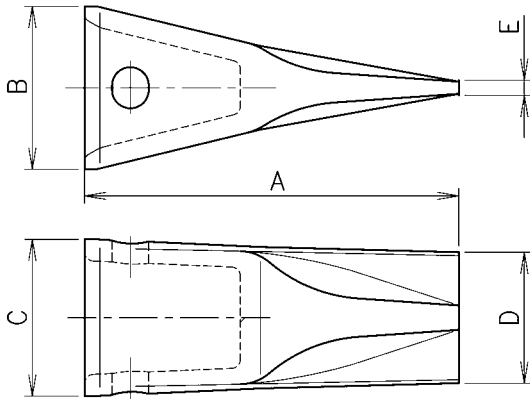
- Punta penetration plus
- Penetration plus tips
- Penetration-Plus-Spitzen
- Pointes penetration plus



NS. RIF. OUR REF. U/REF. NOTRE REF.	N. ORIGINALE ORIGINAL P/N ORIGINAL-NR. N. ORIGINAL	GRANDEZZA (") SIZE (") KLASSE (") CLASSE (")	PESO (KG) WEIGHT GEWICHT POIDS	DIMENSIONI - DIMENSIONS ABMESSUNGEN - DIMENSIONS					PORTAPUNTA ADAPTERS HALTER ADAPTEUR	PERNO PIN KEIL AXE	ANELLO LINK RING RONDELLE
				A	B	C	D	E			
<b>C3RC</b>		<b>2,5</b>							<b>C1 (1U1254)</b> <b>C1EA (119-3253)</b> <b>C1B (1U0257)</b>	<b>8E6258</b> <b>132-4763</b>	<b>8E6259</b>
<b>C8RC</b>	<b>183-5300</b>	<b>3</b>	5.7	250	108	88	30	8	<b>C6 (1U1304)</b> <b>C6E (3G6304)</b> <b>C6B2 (4T4307)</b>	<b>9J2308</b> <b>132-4766</b>	<b>8E6259</b>
<b>C13RC</b>	<b>168-1359</b>	<b>3,5</b>	7.9	280	116	104,5	30	9	<b>C11 (1U1354)</b> <b>C11EA (6I6354)</b> <b>C11B3 (3G3357)</b>	<b>8E6358</b> <b>114-0358</b>	<b>8E6359</b>
<b>C118RC</b>	<b>168-1409</b>	<b>4</b>	11.3	300	130	119	38	10.5	<b>C116 (107-3404)</b> <b>C116E (6I6404)</b> <b>C116PHD (125-8404)</b>	<b>7T3408</b> <b>116-7408</b>	<b>8E8409</b>
<b>C18RC</b>	<b>159-0459</b>	<b>4,6</b>	14.8	330	140	132	40	10	<b>C16X (8E0464)</b> <b>C16EX (159-0464)</b> <b>C16PHDX (114-0464)</b>	<b>8E0468</b> <b>114-0468</b>	<b>8E8469</b>
<b>C23RC</b>	<b>159-0559</b>	<b>5,5</b>	23.7	385	154	160	45	12	<b>C21 (7J9554)</b> <b>C21E (6I6554)</b> <b>C21PHD (138-6554)</b>	<b>6Y8558</b> <b>107-3378</b>	<b>8E5559</b>
<b>C78RC</b>	<b>159-0607</b>	<b>6</b>	36	450	200	195	65	15	<b>C76E (6I6604)</b> <b>C76PHD (119-8604)</b>	<b>6I6608</b> <b>113-9608</b>	<b>6I6609</b>

Tutti i numeri, simboli, e denominazioni originali sono usati soltanto per riferimento, e non si deve in alcun modo intendere che i pezzi elencati siano originali.  
All manufacturers' name, numbers, symbols and descriptions are used for reference purpose only, and it is not implied that any part listed is the product of these manufacturers.

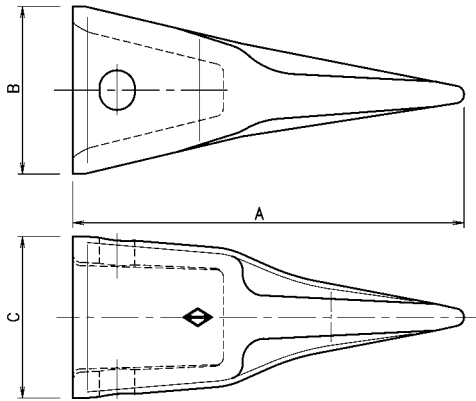
- Punta „V“
- „V“ tips
- „V“-Spitzen
- Pointes „V“



NS. RIF. OUR REF. U/REF. NOTRE REF.	N. ORIGINALE ORIGINAL P/N ORIGINAL-NR. N. ORIGINAL	GRANDEZZA (") SIZE (") KLASSE (") CLASSE (")	PESO (KG) WEIGHT GEWICHT POIDS	DIMENSIONI - DIMENSIONS ABMESSUNGEN - DIMENSIONS					PORTAPUNTA ADAPTERS HALTER ADAPTEUR	PERNO PIN KEIL AXE	ANELLO LINK RING RONDELLE
				A	B	C	D	E			
<b>C05V</b>		<b>2</b>	1,2	146	62	56	50	5	<b>C01 (4T1204)</b> <b>C02/7 (8J7525)</b> <b>C0B (9J4207)</b>	<b>8E6208</b>	<b>8E6209</b>
<b>C103V</b>		<b>2,2</b>	2	170	80	65	56	6	<b>C101E (6Y3224)</b>	<b>6Y3228</b> <b>132-4762</b>	<b>8E6259</b>
<b>C3V</b>		<b>2,5</b>	3	198	86	76	64	7	<b>C1 (1U1254)</b> <b>C1EA (119-3253)</b> <b>C1B (1U0257)</b>	<b>8E6258</b> <b>132-4763</b>	<b>8E6259</b>
<b>C8V</b>		<b>3</b>	4,1	220	96	88	74	8	<b>C6 (1U1304)</b> <b>C6E (3G6304)</b> <b>C6B2 (4T4307)</b>	<b>9J2308</b> <b>132-4766</b>	<b>8E6259</b>
<b>C13V</b>		<b>3,5</b>	5,7	245	107	103	86	8	<b>C11 (1U1354)</b> <b>C11EA (6I6354)</b> <b>C11B3 (3G3357)</b>	<b>8E6358</b> <b>114-0358</b>	<b>8E6359</b>
<b>C118V</b>		<b>4</b>	9,8	280	124	119	107	8	<b>C116 (107-3404)</b> <b>C116E (6I6404)</b> <b>C116PHD (125-8404)</b>	<b>7T3408</b> <b>116-7408</b>	<b>8E8409</b>
<b>C18V</b>		<b>4,6</b>	11	290	126	128	112	10	<b>C16X (8E0464)</b> <b>C16EX (159-0464)</b> <b>C16PHDX (114-0464)</b>	<b>8E0468</b> <b>114-0468</b>	<b>8E8469</b>
<b>C23V</b>		<b>5,5</b>	17,6	350	145	154	140	10	<b>C21 (7J9554)</b> <b>C21E (6I6554)</b> <b>C21PHD (138-6554)</b>	<b>6Y8558</b> <b>107-3378</b>	<b>8E5559</b>
<b>C78V</b>		<b>6</b>		400	186	195	173	12	<b>C76E (6I6604)</b> <b>C76PHD (119-8604)</b>	<b>6I6608</b> <b>113-9608</b>	<b>6I6609</b>

Tutti i numeri, simboli, e denominazioni originali sono usati soltanto per riferimento, e non si deve in alcun modo intendere che i pezzi elencati siano originali.  
All manufacturers' name, numbers, symbols and descriptions are used for reference purpose only, and it is not implied that any part listed is the product of these manufacturers.

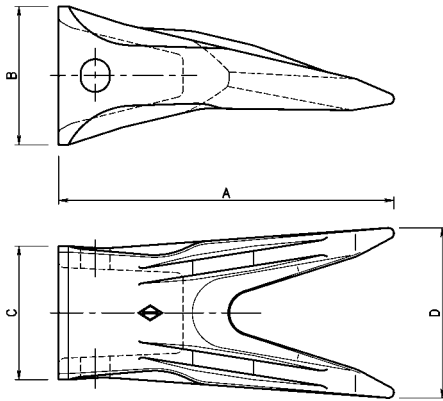
- Punta sharp
- Sharp tips
- Sharp-Spitzen
- Pointes sharp



NS. RIF. OUR REF. U/REF. NOTRE REF.	N. ORIGINALE ORIGINAL P/N ORIGINAL-NR. N. ORIGINAL	GRANDEZZA (") SIZE (") KLASSE (") CLASSE (")	PESO (KG) WEIGHT GEWICHT POIDS	DIMENSIONI - DIMENSIONS ABMESSUNGEN - DIMENSIONS			PORTAPUNTA ADAPTERS HALTER ADAPTEUR	PERNO PIN KEIL AXE	ANELLO LINK RING RONDELLE
				A	B	C			
<b>C05SC</b>	<b>9W8209</b>	<b>2</b>					<b>C01 (4T1204)</b> <b>C02/7 (8J7525)</b> <b>C0B (9J4207)</b>	<b>8E6208</b>	<b>8E6209</b>
<b>C103SC</b>	<b>6Y7229</b>	<b>2,2</b>					<b>C101E (6Y3224)</b>	<b>6Y3228</b> <b>132-4762</b>	<b>8E6259</b>
<b>C3SC</b>	<b>9W8259</b>	<b>2,5</b>					<b>C1 (1U1254)</b> <b>C1EA (119-3253)</b> <b>C1B (1U0257)</b>	<b>8E6258</b> <b>132-4763</b>	<b>8E6259</b>
<b>C8SC</b>	<b>9W8309</b>	<b>3</b>	4.1	240	102	94	<b>C6 (1U1304)</b> <b>C6E (3G6304)</b> <b>C6B2 (4T4307)</b>	<b>9J2308</b> <b>132-4766</b>	<b>8E6259</b>
<b>C13SC</b>	<b>9W2359</b>	<b>3,5</b>	6.2	265	114	110	<b>C11 (1U1354)</b> <b>C11EA (6I6354)</b> <b>C11B3 (3G3357)</b>	<b>8E6358</b> <b>114-0358</b>	<b>8E6359</b>
<b>C118SC</b>	<b>6Y5409</b>	<b>4</b>		290	130	119	<b>C116 (107-3404)</b> <b>C116E (6I6404)</b> <b>C116PHD (125-8404)</b>	<b>7T3408</b> <b>116-7408</b>	<b>8E8409</b>
<b>C18SC</b>	<b>7T8459</b>	<b>4,6</b>	10.5	320	134	136	<b>C16X (8E0464)</b> <b>C16EX (159-0464)</b> <b>C16PHDX (114-0464)</b>	<b>8E0468</b> <b>114-0468</b>	<b>8E8469</b>
<b>C23SC</b>	<b>9W6559</b>	<b>5,5</b>		365	153	162	<b>C21 (7J9554)</b> <b>C21E (6I6554)</b> <b>C21PHD (138-6554)</b>	<b>6Y8558</b> <b>107-3378</b>	<b>8E5559</b>
<b>C78SC</b>	<b>107-8609</b>	<b>6</b>					<b>C76E (6I6604)</b> <b>C76PHD (119-8604)</b>	<b>6I6608</b> <b>113-9608</b>	<b>6I6609</b>

Tutti i numeri, simboli, e denominazioni originali sono usati soltanto per riferimento, e non si deve in alcun modo intendere che i pezzi elencati siano originali.  
All manufacturers' name, numbers, symbols and descriptions are used for reference purpose only, and it is not implied that any part listed is the product of these manufacturers.

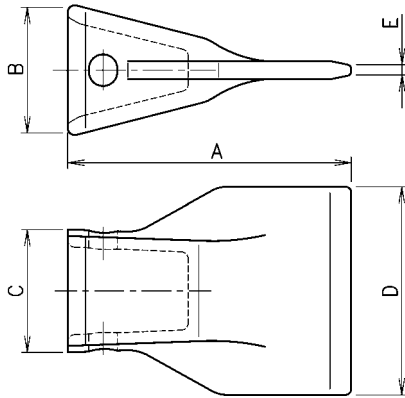
- Punta twin tiger
- Twin tiger tips
- Twin-Tiger-Spitzen
- Pointes twin tiger



NS. RIF. OUR REF. U/REF. NOTRE REF.	N. ORIGINALE ORIGINAL P/N ORIGINAL-NR. N. ORIGINAL	GRANDEZZA (") SIZE (") KLASSE (") CLASSE (")	PESO (KG) WEIGHT GEWICHT POIDS	DIMENSIONI - DIMENSIONS ABMESSUNGEN - DIMENSIONS				PORTAPUNTA ADAPTERS HALTER ADAPTEUR	PERNO PIN KEIL AXE	ANELLO LINK RING RONDELLE
				A	B	C	D			
<b>C05TT</b>	<b>135-8208</b>	<b>2</b>						<b>C01 (4T1204)</b> <b>C02/7 (8J7525)</b> <b>C0B (9J4207)</b>	<b>8E6208</b>	<b>8E6209</b>
<b>C3TT</b>	<b>135-8258</b>	<b>2,5</b>						<b>C1 (1U1254)</b> <b>C1EA (119-3253)</b> <b>C1B (1U0257)</b>	<b>8E6258</b> <b>132-4763</b>	<b>8E6259</b>
<b>C8TT</b>	<b>135-9308</b>	<b>3</b>	5,4	250	102	94	120	<b>C6 (1U1304)</b> <b>C6E (3G6304)</b> <b>C6B2 (4T4307)</b>	<b>9J2308</b> <b>132-4766</b>	<b>8E6259</b>
<b>C13TT</b>	<b>135-9357</b>	<b>3,5</b>	7,6	275	114	110	140	<b>C11 (1U1354)</b> <b>C11EA (6I6354)</b> <b>C11B3 (3G3357)</b>	<b>8E6358</b> <b>114-0358</b>	<b>8E6359</b>
<b>C118TT</b>	<b>135-9408</b>	<b>4</b>		300	130	119	150	<b>C116 (107-3404)</b> <b>C116E (6I6404)</b> <b>C116PHD (125-8404)</b>	<b>7T3408</b> <b>116-7408</b>	<b>8E8409</b>
<b>C18TT</b>	<b>138-6458</b>	<b>4,6</b>	14,6	330	134	136	180	<b>C16X (8E0464)</b> <b>C16EX (159-0464)</b> <b>C16PHDX (114-0464)</b>	<b>8E0468</b> <b>114-0468</b>	<b>8E8469</b>
<b>C23TT</b>	<b>138-6558</b>	<b>5,5</b>	24,3	375	153	162	220	<b>C21 (7J9554)</b> <b>C21E (6I6554)</b> <b>C21PHD (138-6554)</b>	<b>6Y8558</b> <b>107-3378</b>	<b>8E5559</b>
<b>C78TT</b>	<b>135-9608</b>	<b>6</b>						<b>C76E (6I6604)</b> <b>C76PHD (119-8604)</b>	<b>6I6608</b> <b>113-9608</b>	<b>6I6609</b>

Tutti i numeri, simboli, e denominazioni originali sono usati soltanto per riferimento, e non si deve in alcun modo intendere che i pezzi elencati siano originali.  
All manufacturers' name, numbers, symbols and descriptions are used for reference purpose only, and it is not implied that any part listed is the product of these manufacturers.

- Punta wide
- Wide tips
- Wide-Spitzen
- Pointes wide



NS. RIF. OUR REF. U/REF. NOTRE REF.	N. ORIGINALE ORIGINAL P/N ORIGINAL-NR. N. ORIGINAL	GRANDEZZA (") SIZE (") KLASSE (") CLASSE (")	PESO (KG) WEIGHT GEWICHT POIDS	DIMENSIONI - DIMENSIONS ABMESSUNGEN - DIMENSIONS					PORTAPUNTA ADAPTERS HALTER ADAPTEUR	PERNO PIN KEIL AXE	ANELLO LINK RING RONDELLE
				A	B	C	D	E			
<b>C05W</b>	<b>109-9200</b>	<b>2</b>	1.7	155	65	56	102	5	<b>C01 (4T1204)</b> <b>C02/7 (8J7525)</b> <b>C0B (9J4207)</b>	<b>8E6208</b>	<b>8E6209</b>
<b>C3W</b>	<b>3G8250</b>	<b>2,5</b>	3.2	200	86	76	112	7	<b>C1 (1U1254)</b> <b>C1EA (119-3253)</b> <b>C1B (1U0257)</b>	<b>8E6258</b> <b>132-4763</b>	<b>8E6259</b>
<b>C8W</b>	<b>107-3300</b>	<b>3</b>	5.7	220	102	88	150	8	<b>C6 (1U1304)</b> <b>C6E (3G6304)</b> <b>C6B2 (4T4307)</b>	<b>9J2308</b> <b>132-4766</b>	<b>8E6259</b>
<b>C13W</b>	<b>107-3350</b>	<b>3,5</b>	8.5	240	116	104.5	178	8	<b>C11 (1U1354)</b> <b>C11EA (6I6354)</b> <b>C11B3 (3G3357)</b>	<b>8E6358</b> <b>114-0358</b>	<b>8E6359</b>
<b>C118W</b>	<b>107-3400</b>	<b>4</b>	11.5	268	130	119	207	10	<b>C116 (107-3404)</b> <b>C116E (6I6404)</b> <b>C116PHD (125-8404)</b>	<b>7T3408</b> <b>116-7408</b>	<b>8E8409</b>
<b>C18W</b>	<b>107-3450</b>	<b>4,6</b>	16.5	295	142	138	225	10	<b>C16X (8E0464)</b> <b>C16EX (159-0464)</b> <b>C16PHDX (114-0464)</b>	<b>8E0468</b> <b>114-0468</b>	<b>8E8469</b>
<b>C23W</b>	<b>107-3550</b>	<b>5,5</b>	25.5	336	164	162	278	12	<b>C21 (7J9554)</b> <b>C21E (6I6554)</b> <b>C21PHD (138-6554)</b>	<b>6Y8558</b> <b>107-3378</b>	<b>8E5559</b>

Tutti i numeri, simboli, e denominazioni originali sono usati soltanto per riferimento, e non si deve in alcun modo intendere che i pezzi elencati siano originali.  
All manufacturers' name, numbers, symbols and descriptions are used for reference purpose only, and it is not implied that any part listed is the product of these manufacturers.