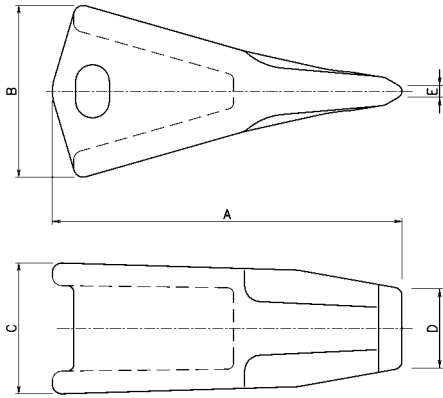
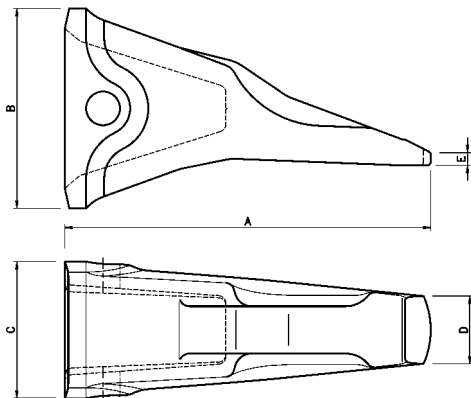


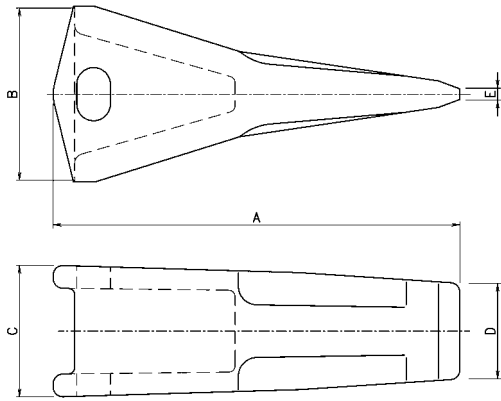
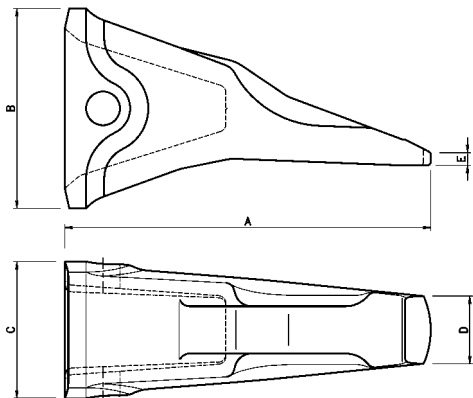
- Parti di usura per ripper (punta corta)
- Wear parts for rippers (short tip)
- Ripper-Ersatzteile (kurze Spitze)
- Pièce d'usure pour ripper (pointe courte)


1

2

NS. RIF. OUR REF. U/REF. NOTRE REF.	PARTIC. ITEM TYP DETAIL	N. ORIGINALE ORIGINAL P/N ORIGINAL-NR. N. ORIGINAL	PESO (KG) WEIGHT GEWICHT POIDS	DIMENSIONI - DIMENSIONS ABMESSUNGEN - DIMENSIONS					MODELLO MODEL MODELL MODELE	
				A	B	C	D	E		
	1	9W4551	41	460	275	180	78	15	D11N-D11R	Centerline
C57/2	1	4T4501	25	380	232	162	76	12	D11N-D11R-D10-D10N-D10R-D9L-D9RHD	Centerline
C54/2	2	4T5501	26	380	232	162	76	20	D11N-D11R-D10-D10N-D10R-D9L-D9RHD	Penetration
C26/3	1	9W2451	14,2	327	165	125	78	10	D9H-D9N-D9R-D8N-D8K-D8L-D8R	Centerline
C64/2	2	4T5451	14	327	165	125	78	12	D9H-D9N-D9R-D8N-D8K-D8L-D8R	Penetration

Tutti i numeri, simboli, e denominazioni originali sono usati soltanto per riferimento, e non si deve in alcun modo intendere che i pezzi elencati siano originali.
All manufacturers' name, numbers, symbols and descriptions are used for reference purpose only, and it is not implied that any part listed is the product of these manufacturers.

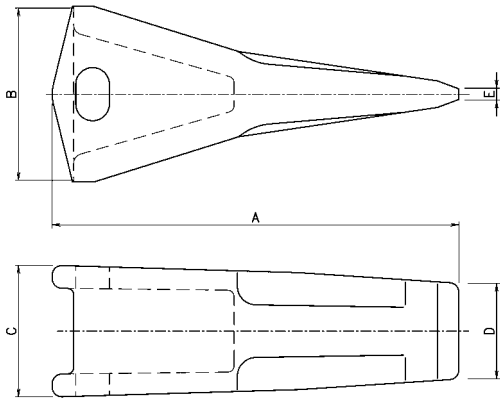
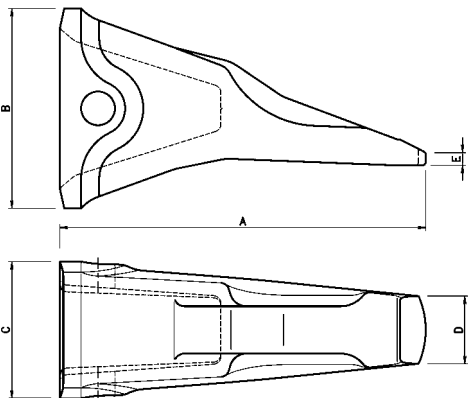
- Parti di usura per ripper (punta media)
- Wear parts for rippers (intermediate tip)
- Ripper-Ersatzteile (mittlere Spitze)
- Pièce d'usure pour ripper (pointe intermédiaire)


1

2


NS. RIF. OUR REF. U/REF. NOTRE REF.	PARTIC. ITEM TYP DETAIL	N. ORIGINALE ORIGINAL P/N ORIGINAL-NR. N. ORIGINAL	PESO (KG) WEIGHT GEWICHT POIDS	DIMENSIONI - DIMENSIONS ABMESSUNGEN - DIMENSIONS					MODELLO MODEL MODELL MODELE	
				A	B	C	D	E		
	1	9W4552	49	540	275	180	78	15	D11N-D11R	Centerline
	2	6Y3552	45.5	540	275	180	82	18	D11N-D11R	Penetration
C58/2	1	4T4502	28	425	232	162	76	15	D11N-D11R-D10-D10N-D10R-D9L-D9RHD	Centerline
C55/2	2	4T5502	28,8	432	232	162	80	18	D11N-D11R-D10-D10N-D10R-D9L-D9RHD	Penetration
C27/3	1	9W2452	15.5	380	165	125	80	16.5	D9H-D9N-D9R-D8N-D8K-D8L-D8R	Centerline
C65/2	2	4T5452	15.5	392	165	125	50	16	D9H-D9N-D9R-D8N-D8K-D8L-D8R	Penetration

Tutti i numeri, simboli, e denominazioni originali sono usati soltanto per riferimento, e non si deve in alcun modo intendere che i pezzi elencati siano originali.
All manufacturers' name, numbers, symbols and descriptions are used for reference purpose only, and it is not implied that any part listed is the product of these manufacturers.

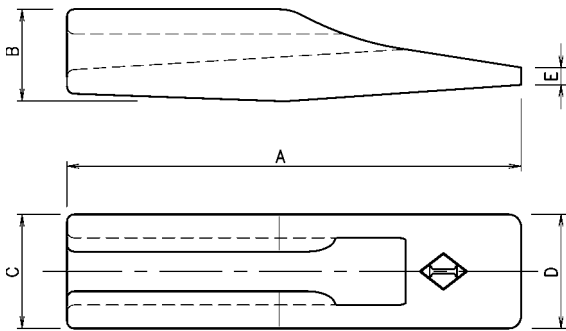
- Parti di usura per ripper (punta lunga)
- Wear parts for rippers (long tip)
- Ripper-Ersatzteile (lange Spitze)
- Pièce d'usure pour ripper (pointe longue)


1

2


NS. RIF. OUR REF. U/REF. NOTRE REF.	PARTIC. ITEM TYP DETAIL	N. ORIGINALE ORIGINAL P/N ORIGINAL-NR. N. ORIGINAL	PESO (KG) WEIGHT GEWICHT POIDS	DIMENSIONI - DIMENSIONS ABMESSUNGEN - DIMENSIONS					MODELLO MODEL MODELL MODELE	
				A	B	C	D	E		
C59/3	1	8E8503	29.2	475	232	162	75	15	D11N-D11R-D10-D10N-D10R-D9L-D9RHD	Centerline
C56/2	2	4T5503	30	480	232	162	75	20	D11N-D11R-D10-D10N-D10R-D9L-D9RHD	Penetration
C66/2	1	114-0453	16.5	425	165	125	85	15	D9H-D9N-D9R-D8N-D8K-D8L-D8R	Centerline
C30	2	6Y0359	11.2	360	140	108.5	52	8	Small Rippers	Penetration
C30C	1	6Y0352	11.6	360	140	108.5	52	12	Small Rippers	Centerline
C29	2	6Y0309	5.4	292	104	86	48	13.5	Small Rippers	Penetration
C29SC		9W7309	5.5	300	104	86	18	7	Small Rippers	Sharp

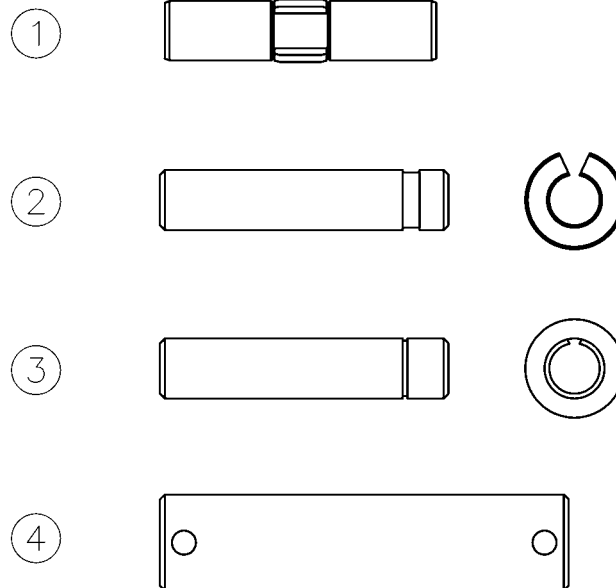
Tutti i numeri, simboli, e denominazioni originali sono usati soltanto per riferimento, e non si deve in alcun modo intendere che i pezzi elencati siano originali.
All manufacturers' name, numbers, symbols and descriptions are used for reference purpose only, and it is not implied that any part listed is the product of these manufacturers.

- Parti di usura per ripper (punta scarificatrice)
- Wear parts for rippers (scarifier tip)
- Ripper-Ersatzteile (Scarifier-Spitze)
- Pièce d'usure pour ripper (pointe scarifier)



NS. RIF. OUR REF. U/REF. NOTRE REF.	N. ORIGINALE ORIGINAL P/N ORIGINAL-NR. N. ORIGINAL	PESO (KG) WEIGHT GEWICHT POIDS	DIMENSIONI - DIMENSIONS ABMESSUNGEN - DIMENSIONS				MODELLO MODEL MODELL MODELE
			A	B	C	D	
C28	6Y5230	1,3	182	37	46	46	Scarifiers

- Parti di usura per ripper (perno)
- Wear parts for rippers (pin)
- Ripper-Ersatzteile (Keil)
- Pièce d'usure pour ripper (axe)



NS. RIF. OUR REF. U/REF. NOTRE REF.	PARTIC. ITEM TYP DETAIL	N. ORIGINALE ORIGINAL P/N ORIGINAL-NR. N. ORIGINAL	MODELLO MODEL MODELL MODELE	
	1	6Y2443	D11N	Pin Assembly
	3	9N4252	D11N-D11R	Pin (Impact Ripper Style)
	3	6Y1205	D11N-D11R	Retainer Assembly (Impact Ripper Style)
C60	1	102-9062	D11N-D10-D10N-D9L	Pin Assembly
C69	3	6Y1204	D11N-D11R-D10-D10N-D10R-D9L-D9R-D9R HD	Pin (Impact Ripper Style)
C70	3	6Y1202	D11N-D11R-D10-D10N-D10R-D9L-D9R-D9R HD	Retainer Assembly (Impact Ripper Style)
C74	2	6Y3909	D11N-D11R-D10-D10N-D10R-D9L-D9R-D9R HD	Pin (Bucket Style)
C75	2	4T4707	D11N-D11R-D10-D10N-D10R-D9L-D9R-D9R HD	Retainer (Bucket Style)
C68	1	4T2479	D9H-D9N-D9R-D8N-D8K-D8L-D8R	Pin Assembly (Tip & Upper Protector)
C34	1	6J8811	D9H-D9N-D9R-D8N-D8K-D8L-D8R	Pin Assembly (Lower Protector)
C72	2	6Y3394	D9H-D9N-D9R-D8N-D8K-D8L-D8R	Pin (Bucket Style)
C73	2	8E4743	D9H-D9N-D9R-D8N-D8K-D8L-D8R	Retainer (Bucket Style)
C14	2	8E6358 / 114-0358	Small Rippers	Pin
C15/2-C20/2	2	8E6359	Small Rippers	Retainer
C67	2	9W2668	Small Rippers	Pin
C210	4	2K6413	Small Rippers	Pin
C220	4	8J2190	Small Rippers	Pin

Tutti i numeri, simboli, e denominazioni originali sono usati soltanto per riferimento, e non si deve in alcun modo intendere che i pezzi elencati siano originali.
All manufacturers' name, numbers, symbols and descriptions are used for reference purpose only, and it is not implied that any part listed is the product of these manufacturers.