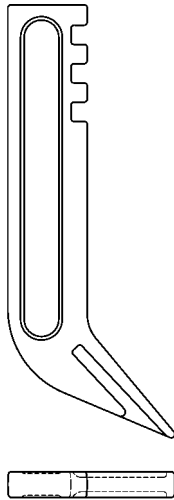


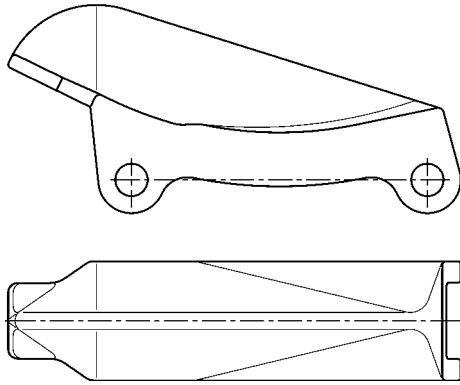
- Parti di usura per ripper (portadente)
- Wear parts for rippers (adapter)
- Ripper-Ersatzteile (Halter)
- Pièce d'usure pour ripper (adapteur)



NS. RIF. OUR REF. U/REF. NOTRE REF.	N. ORIGINALE ORIGINAL P/N ORIGINAL-NR. N. ORIGINAL	PESO (KG) WEIGHT GEWICHT POIDS	MODELLO MODEL MODELL MODELE	
	104-9279		D11N - D11R	Shank Adapter
	103-8115		D11N-D11R-D10-D10N-D10R-D9L- D9R-D9RHD	Shank Adapter
	107-3361			Adapter Nose for repair Adapter 103-8115
C52	1U3630	105	D11N-D11R-D10-D10N-D9L	Shank Adapter
	103-8114	40.5		Adapter Nose for repair Adapter 1U3630
C61	8E8418	70	D9H-D9N-D9R-D8N-D8K-D8L-D8R	Shank Adapter
	9U9694	20.5		Adapter Nose for repair Adapter 8E8418
	7J6671		983	Shank Adapter for small ripper (Straight Shank)
	9W7382		No.7	Shank Adapter for small ripper (Straight Shank)
	9J3139	54	No.6-No.5-977-973-16-24Ha-D6M	Shank Adapter for small ripper (Straight Shank)
	9J8923		No.6-No.5-977-973-16-24Ha-D6M	Shank Adapter for small ripper (Curved Shank)
	6Y0865		No.4-963-955-951-941-12-14-130-140- 143H-160H-163-D5M	Shank Adapter for small ripper (Heavy Duty)
	8E7350	5.4		Adapter Nose for repair Adapter 9W7382-9J3139-9J8923- 6Y0865
	9J6586	24	No.4-963-955-951-941-12-14-130-140- 143H-160H-163-D5M	Shank Adapter for small ripper (Straight Shank)
	9J8913		No.4-963-955-951-941-12-14-130-140- 143H-160H-163-D5M	Shank Adapter for small ripper (Curved Shank)
	8E7300	2.5		Adapter Nose for repair Adapter 9J6586-9J8913
	5B0947		SCARIFIER	Shank Adapter std V-Block (Rear Notched)
C71	9F5124	5,3	SCARIFIER	Shank Adapter std V-Block (Front Notched)
	7D4501		SCARIFIER	Shank Adapter long V-Block (Front Notched)
	5B6251	4.2	SCARIFIER	Shank Adapter std Straight Block (Rear Notched)

Tutti i numeri, simboli, e denominazioni originali sono usati soltanto per riferimento, e non si deve in alcun modo intendere che i pezzi elencati siano originali.
All manufacturers' name, numbers, symbols and descriptions are used for reference purpose only, and it is not implied that any part listed is the product of these manufacturers.

- Parti di usura per ripper (protezione)
- Wear parts for rippers (protector)
- Ripper-Ersatzteile (Schutz)
- Pièce d'usure pour ripper (Protecteur)



NS. RIF. OUR REF. U/REF. NOTRE REF.	N. ORIGINALE ORIGINAL P/N ORIGINAL-NR. N. ORIGINAL	PESO (KG) WEIGHT GEWICHT POIDS	MODELLO MODEL MODELL MODELE	
	9N4621		D11N - D11R	2 Pin - Sharp
	132-1016		D11N - D11R	Extended 2 Pin One-Piece
	6Y8960		D11N - D11R - D10 -D10R	2 Pin - Sharp
	9W8365	40	D10N - D10R - D9L - D9R - D9RHD	2 Pin - Sharp
C51	3G9594		D10	1 Pin - Standard
C53	6Y9704		D11N - D10 - D10N - D9L	1 Pin - Sharp
	132-1015		D11N - D11R - D10 -D10R	Extended 2 Pin One-Piece
	132-1014		D10N - D10R - D9L - D9R - D9RHD	Extended 2 Pin One-Piece
C63	6J8814	14.3	D9H - D9N - D9R - D8N - D8K - D8L - D8R	2 Pin - Standard
C63S	8E1848	24.5	D9H - D9N - D9R - D8N - D8K - D8L - D8R	2 Pin - Sharp
C62	132-4716		D9H - D9N - D9R - D8N - D8K - D8L - D8R	Extended 2 Pin One-Piece

Tutti i numeri, simboli, e denominazioni originali sono usati soltanto per riferimento, e non si deve in alcun modo intendere che i pezzi elencati siano originali.
All manufacturers' name, numbers, symbols and descriptions are used for reference purpose only, and it is not implied that any part listed is the product of these manufacturers.