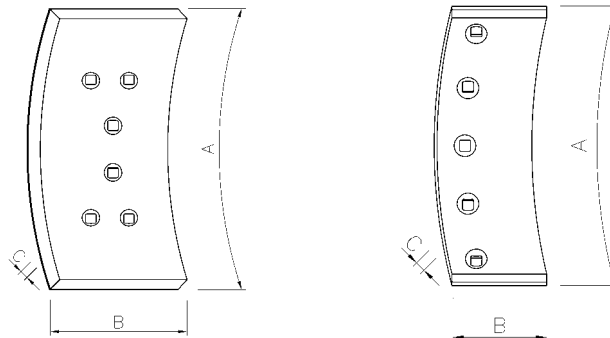


- Angolari per grader
- End bits for graders
- Grader-Ecken
- Coins pour grader


**1**
**2**

N. ORIGINALE ORIGINAL P/N ORIGINAL-NR. N. ORIGINAL	PARTIC. ITEM TYP DETAIL	VECCHIO N. ORIG. OLD ORIGINAL P/N ANDERE ORIGINAL-NR. AUTRE N. ORIGINAL	PESO (KG) WEIGHT GEWICHT POIDS	DIMENSIONI - DIMENSIONS ABMESSUNGEN - DIMENSIONS				N. VITI BOLTS SCHR. BOULONS	MODELLO MODEL MODELL MODELE
				A	B	C	Ø Bolt (")		
<b>9D4880/81</b>	2		10	484	152	19	3/4	4	
<b>8E5530</b>	2	6Y2803	9	474	152	19	3/4	5	<b>16,16G,16H</b>
<b>9J4407/08</b>	2	4D9811/12	7,3				5/8	4	
<b>9J4405/06</b>	2		8,2	482	152	16	3/4	4	
<b>8E5529</b>	2	6Y2801					3/4	5	<b>14, 14G</b>
<b>7D2083/84</b>	2	2D7997/98	7,2	553	152	16	5/8	5	
<b>7D2052</b>	2		6,5	474	152	16	5/8	5	<b>12, 112</b>
<b>9W2945</b>	2						5/8	5	<b>120, 130, 140</b>
<b>9J4411</b>	2		4,5				5/8	4	<b>212</b>
<b>8E5531</b>	2		8.1	474	152	16	5/8	5	
<b>6D1948</b>	1		11,5	571	230	13	5/8	8	
<b>7D5583</b>	1		12				3/4	8	<b>Curved Edge</b>
<b>7D5193</b>	1	4D9813/14					5/8	8	<b>8 "</b>
<b>7D9999</b>	1		13,7	600	230	13	3/4	8	
<b>6Y2805</b>	1						3/4	8	
<b>6D1904</b>	1		9,5	470	230	13	5/8	8	<b>Curved Edge</b>
<b>7D5582</b>	1		9				3/4	8	<b>6 "</b>
<b>4D5757/58</b>	1						5/8	8	<b>Flat Edge</b>
<b>9W1767</b>	1		9.9	460	230	13	5/8	8	

Tutti i numeri, simboli, e denominazioni originali sono usati soltanto per riferimento, e non si deve in alcun modo intendere che i pezzi elencati siano originali.  
All manufacturers' name, numbers, symbols and descriptions are used for reference purpose only, and it is not implied that any part listed is the product of these manufacturers.