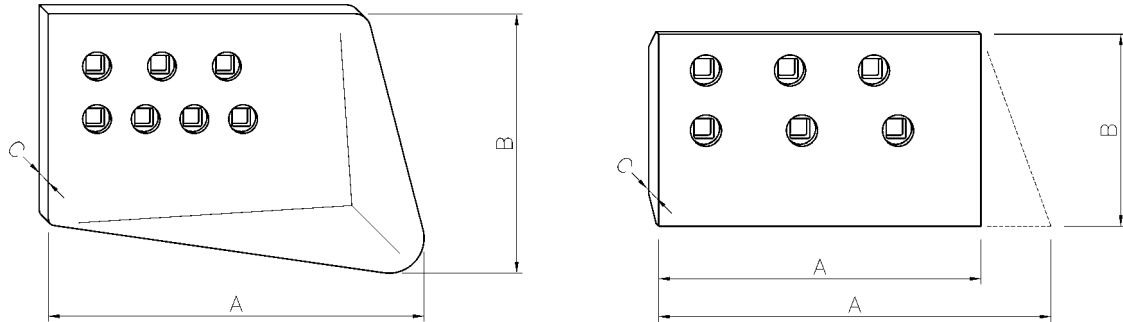


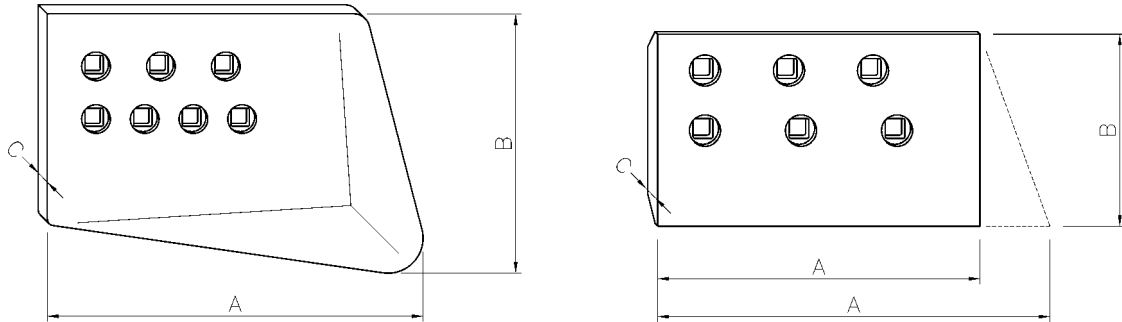
- Angolari per dozer
- End bits for bulldozers
- Dozer-Ecken
- Coins pour dozer



N. ORIGINALE (D-S) ORIGINAL P/N (R-L) ORIGINAL-NR. N. ORIGINAL	PESO (KG) WEIGHT GEWICHT POIDS	DIMENSIONI - DIMENSIONS ABMESSUNGEN - DIMENSIONS				N. FORI HOLES BOHR. TROUS	MODELLO MODEL MODELL MODELE
		A (mm)	B (mm)	C (mm)	Ø Bolt (")		
<b>673081/82</b>	36.5	575	340	35	1	7	
<b>70691684</b>	22.5	457	210	31	3/4	6	
<b>70617310/09</b>	25.5	527	203	32	3/4	6	
<b>70673081/82</b>	36.5	574	340	35	1	7	
<b>70691722/21</b>	39	545	275	38	1	5	
<b>70694290/89</b>	20.5	527	203	25	3/4	6	
<b>70694316/15</b>	33	560	250	32	3/4	6	
<b>73113275/76</b>	93.5	710	368	57	1 1/4	7	
<b>73113277/78</b>	112	787	375	57	1 1/4	8	
<b>73113879/80</b>	86.1	710	368	51	1 1/4	7	
<b>73115301/02</b>	72	710	357	45	1 1/4	7	
<b>73115303/04</b>	82.7	787	364	45	1 1/4	8	
<b>73117699/700</b>	16.5	462	228	25	3/4	6	
<b>73117707/08</b>	10	398	165	20	5/8	7	
<b>73117713/14</b>	17.5	420	232	25	3/4	6	
<b>73117715/16</b>	15.5	404	235	25	3/4	6	
<b>73139711/12</b>	30	543	278	30	1	7	
<b>76008258/59</b>	18.5	478	240	25	3/4	6	
<b>76015473/74</b>	18	478	240	25	3/4	6	
<b>76015476/77</b>	14.7	356	240	25	3/4	6	
<b>76015483/84</b>	31	545	300	30	7/8	7	
<b>76015485/86</b>	29.8	477	297	30	7/8	7	

Tutti i numeri, simboli, e denominazioni originali sono usati soltanto per riferimento, e non si deve in alcun modo intendere che i pezzi elencati siano originali.  
All manufacturers' name, numbers, symbols and descriptions are used for reference purpose only, and it is not implied that any part listed is the product of these manufacturers.

- Angolari per dozer
- End bits for bulldozers
- Dozer-Ecken
- Coins pour dozer



N. ORIGINALE (D-S) ORIGINAL P/N (R-L) ORIGINAL-NR. N. ORIGINAL	PESO (KG) WEIGHT GEWICHT POIDS	DIMENSIONI - DIMENSIONS ABMESSUNGEN - DIMENSIONS				N. FORI HOLES BOHR. TROUS	MODELLO MODEL MODELL MODELE
		A (mm)	B (mm)	C (mm)	Ø Bolt (")		
<b>76015487/88</b>	19.2	472	244	25	3/4	7	
<b>76015489/90</b>	16.8	397	243	25	3/4	7	
<b>76040464/65</b>	15.6	444	235	25	3/4	6	
<b>79089945/46</b>	18.5	482	240	25	3/4	6	
<b>79094511/12</b>	18.5	510	240	25	3/4	6	
<b>79103361/62</b>	19	420	208	25	3/4	6	
<b>76032972/71</b>	19.8	422	240	29	3/4	6	
<b>79104464/83</b>	19.6	422	240	29	3/4	6	
<b>8273009/10</b>	13.5	340	195	29	5/8	5	
<b>8280975/76</b>	24	475	245	32	3/4	7	
<b>8282113/14</b>	32	450	240	40	3/4	7	
<b>8282607/08</b>	16.5	435	230	25	3/4	7	
<b>8287740/41</b>	38.5	533	284	40	7/8	7	
<b>8292092/93</b>	19	397	243	29	3/4	7	
<b>8292100/01</b>	19.5	430	244	25	3/4	7	
<b>8292143/44</b>	21	472	244	29	3/4	7	
<b>8294273/74</b>	19.6	422	240	29	3/4	6	
<b>8294446/47</b>	27	575	340	35	1	7	
<b>8296486/87</b>	20	457	233	29	3/4	6	
<b>8297645/46</b>	17	356	280	29	3/4	6	
<b>8299624/25</b>	11	400	200	20	3/4	6	

Tutti i numeri, simboli, e denominazioni originali sono usati soltanto per riferimento, e non si deve in alcun modo intendere che i pezzi elencati siano originali.  
All manufacturers' name, numbers, symbols and descriptions are used for reference purpose only, and it is not implied that any part listed is the product of these manufacturers.