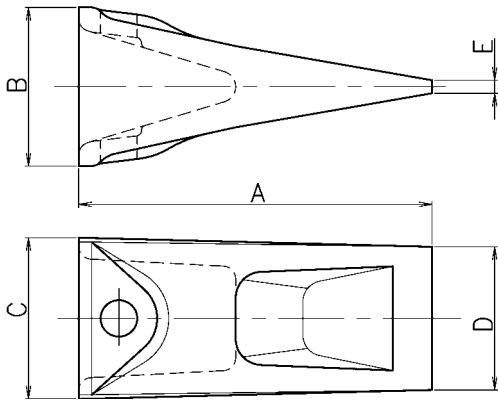
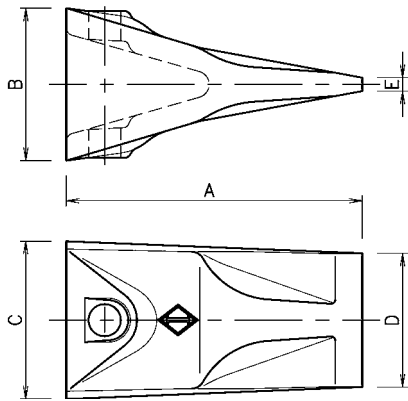


- Punta per benne retro, frontali e mini
- Tips for loaders, backhoes and mini
- Spitzen passend für Ladeschaufeln, Heck- und Minibagger
- Pointes pour pelles, retro et mini



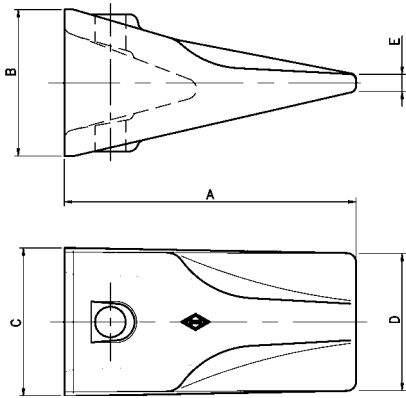
NS. RIF. OUR REF. U/REF. NOTRE REF.	PESO (KG) WEIGHT GEWICHT POIDS	DIMENSIONI - DIMENSIONS ABMESSUNGEN - DIMENSIONS					PORTAPUNTA ADAPTER HALTER ADAPTEUR
		A	B	C	D	E	
IS 02	1.25	135	61	62	55	5	I 4 / I 02-7 / I 02-10
I 5	2.4	175	76.4	77	65	6	I 6 / I 6F/1
I 10	3,9	202	89	92	85	7.6	I 11.1

- Punta per benne retro, frontali e mini
- Tips for loaders, backhoes and mini
- Spitzen passend für Ladeschaufeln, Heck- und Minibagger
- Pointes pour pelles, retro et mini



NS. RIF. OUR REF. U/REF. NOTRE REF.	PESO (KG) WEIGHT GEWICHT POIDS	DIMENSIONI - DIMENSIONS ABMESSUNGEN - DIMENSIONS					PORTAPUNTA ADAPTER HALTER ADAPTEUR
		A	B	C	D	E	
MS 02V	0.95	110	57	59	50	5	MI 2 / MI 02
IS 03V	1.25	140	65	66	55	5	I 4 / I 02-7 / I 02-10
IS 03V-16	1.25	140	65	66	55	5	I 03
I 5V	2.4	175	76.4	77	65	5	I 6 / I 6F/1

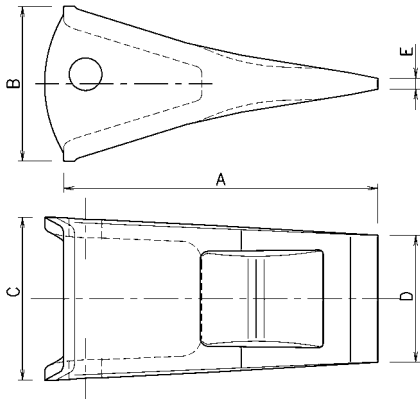
- Punta per benne retro, frontali e mini
- Tips for loaders, backhoes and mini
- Spitzen passend für Ladeschaufeln, Heck- und Minibagger
- Pointes pour pelles, retro et mini



NS. RIF. OUR REF. U/REF. NOTRE REF.	PESO (KG) WEIGHT GEWICHT POIDS	DIMENSIONI - DIMENSIONS ABMESSUNGEN - DIMENSIONS					PORTAPUNTA ADAPTER HALTER ADAPTEUR
		A	B	C	D	E	
MB 4F	0.66	95	48	48.5	45	5.5	MB 1 / MB 8
MS 02F	0.95	110	57	59	50	5	MI 2
IS 03F	1.3	141	64	65	55	5	I 4
I 5F	2.4	175	76.4	77	65	6	I 6F/1

Tutti i numeri, simboli, e denominazioni originali sono usati soltanto per riferimento, e non si deve in alcun modo intendere che i pezzi elencati siano originali.
 All manufacturers' name, numbers, symbols and descriptions are used for reference purpose only, and it is not implied that any part listed is the product of these manufacturers.

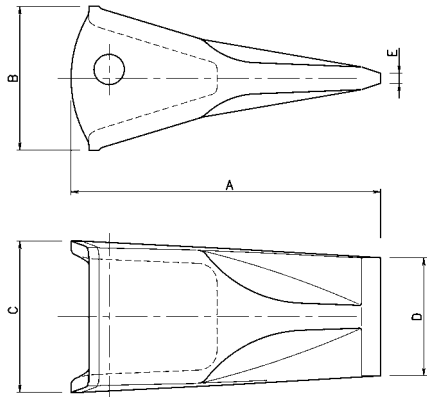
- Punta per benne retro e frontali
- Tips for loaders and backhoes
- Spitzen für Ladeschaufeln and Heckbagger
- Pointes pour pelles et retro



NS. RIF. OUR REF. U/REF. NOTRE REF.	PESO (KG) WEIGHT GEWICHT POIDS	DIMENSIONI - DIMENSIONS ABMESSUNGEN - DIMENSIONS					PORTAPUNTA ADAPTER HALTER ADAPTEUR
		A	B	C	D	E	
IT 5	2,4	175	76.4	77	65	6	IT 6
IT 10	3.9	202	89	92	85	7.6	IT 11.1
IT 15	4.1	219	101	96	78	8	IT 16.1 / IT 16.2 / IT 16.3
IT 20	6,3	244	114	120	93.6	8	IT 21.1 / IT 21.2 / IT 21.3
IT 25	9.4	274	121	151	113	10	IT 26.1 / IT 26.2 / IT 26.3
IT 40	24.4	370	178.3	174.3	140.4	19	IT 41.1 / IT 41.2 / IT 41.3

Tutti i numeri, simboli, e denominazioni originali sono usati soltanto per riferimento, e non si deve in alcun modo intendere che i pezzi elencati siano originali.
 All manufacturers' name, numbers, symbols and descriptions are used for reference purpose only, and it is not implied that any part listed is the product of these manufacturers.

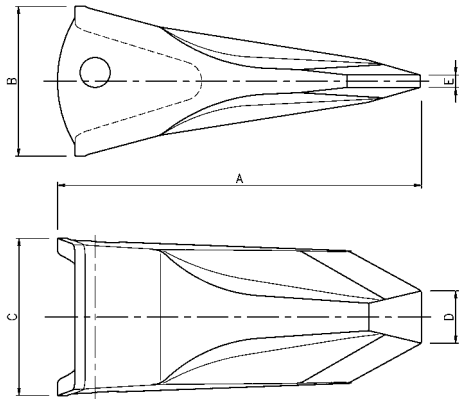
- Punta per benne retro e frontali
- Tips for loaders and backhoes
- Spitzen für Ladeschaufeln und Heckbagger
- Pointes pour pelles et retro



NS. RIF. OUR REF. U/REF. NOTRE REF.	PESO (KG) WEIGHT GEWICHT POIDS	DIMENSIONI - DIMENSIONS ABMESSUNGEN - DIMENSIONS					PORTAPUNTA ADAPTER HALTER ADAPTEUR
		A	B	C	D	E	
IT 5V	2.4	175	76.4	77	65	5	IT 6
IT 10V	3,6	202	89	92	76	6	IT 11.1
IT 15V	4	219	101	96	78	6	IT 16.1 / IT 16.2 / IT 16.3
IT 20V	6.4	244	114	120	99.6	8	IT 21.1 / IT 21.2 / IT 21.3
IT 25V	10.4	300	121	151	113	10	IT 26.1 / IT 26.2 / IT 26.3
IT 40V	23.5	390	178.3	174.3	142	14	IT 41.1 / IT 41.2 / IT 41.3

Tutti i numeri, simboli, e denominazioni originali sono usati soltanto per riferimento, e non si deve in alcun modo intendere che i pezzi elencati siano originali.
 All manufacturers' name, numbers, symbols and descriptions are used for reference purpose only, and it is not implied that any part listed is the product of these manufacturers.

- Punta per benne retro e frontali
- Tips for loaders and backhoes
- Spitzen für Ladeschaufeln und Heckbagger
- Pointes pour pelles et retro



NS. RIF. OUR REF. U/REF. NOTRE REF.	PESO (KG) WEIGHT GEWICHT POIDS	DIMENSIONI - DIMENSIONS ABMESSUNGEN - DIMENSIONS					PORTAPUNTA ADAPTER HALTER ADAPTEUR
		A	B	C	D	E	
IT 10RC		240	94	97	32	8	IT 11.1
IT 15RC	5.9	254	105	100	38	8	IT 16.1 / IT 16.2 / IT 16.3
IT 20RC	9.6	290	120	126	42	10	IT 21.1 / IT 21.2 / IT 21.3
IT 25RC		360	129.1	154	54	12	IT 26.1 / IT 26.2 / IT 26.3
IT 40RC		420	178.3	174.3	62	18	IT 41.1 / IT 41.2 / IT 41.3

Tutti i numeri, simboli, e denominazioni originali sono usati soltanto per riferimento, e non si deve in alcun modo intendere che i pezzi elencati siano originali.
All manufacturers' name, numbers, symbols and descriptions are used for reference purpose only, and it is not implied that any part listed is the product of these manufacturers.