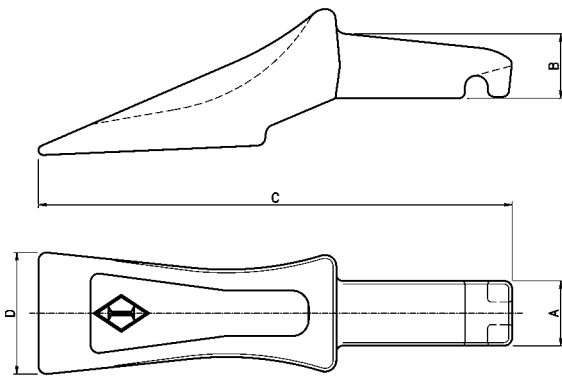


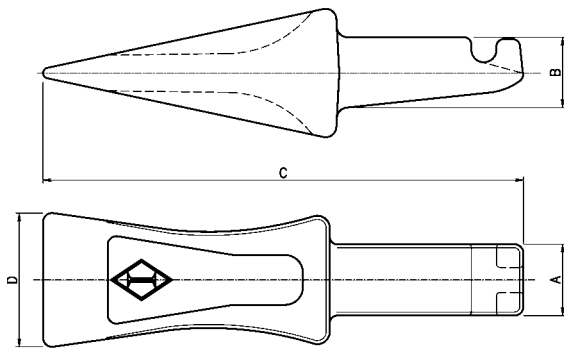
- Denti a capsula per pale frontali
- Teeth for front loaders
- Hülsenzähne für Ladeschaufeln
- Dents pour pelles chargeuses



| NS. RIF. OUR REF. U/REF. NOTRE REF. | PESO (KG) WEIGHT GEWICHT POIDS | DIMENSIONI - DIMENSIONS ABMESSUNGEN - DIMENSIONS | | | | FORZA DI STRAPPO (KG) BREAK-OUT FORCE BRUCHFESTIGKEIT FORCE D'ARRACHEMENT | CAPSULA ADAPTER HALTER ADAPTEUR | TIRANTE TIE ROD SICHERUNG TIGE |
|--|---|---|----|-----|----|--|--|---|
| | | A | B | C | D | | | |
| 3000 FN | 2,3 | 34 | 34 | 241 | 65 | 5800 | 300 H | 5 ST |

| | | | | | | | | |
|----------------|---|----|----|-----|----|-------------|-------|------|
| 4000 FN | 4 | 40 | 40 | 291 | 75 | 7700 | 400 H | 10 S |
|----------------|---|----|----|-----|----|-------------|-------|------|

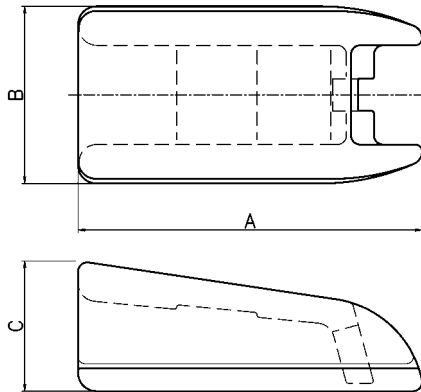
- Denti a capsula per retroscavatori
- Teeth for backhoes
- Hülsenzähne für Heckbagger
- Dents pour escavateur retro



| NS. RIF. OUR REF. U/REF. NOTRE REF. | PESO (KG) WEIGHT GEWICHT POIDS | DIMENSIONI - DIMENSIONS ABMESSUNGEN - DIMENSIONS | | | | FORZA DI STRAPPO (KG) BREAK-OUT FORCE BRUCHFESTIGKEIT FORCE D'ARRACHEMENT | CAPSULA ADAPTER HALTER ADAPTEUR | TIRANTE TIE ROD SICHERUNG TIGE |
|--|---|---|----|-----|----|--|--|---|
| | | A | B | C | D | | | |
| 3000 BT | 2 | 34 | 34 | 228 | 62 | 6200 | 300 H | 5 ST |

| | | | | | | | | |
|----------------|-----|----|----|-----|----|-------------|-------|------|
| 4000 BT | 3.4 | 40 | 40 | 268 | 70 | 8700 | 400 H | 10 S |
|----------------|-----|----|----|-----|----|-------------|-------|------|

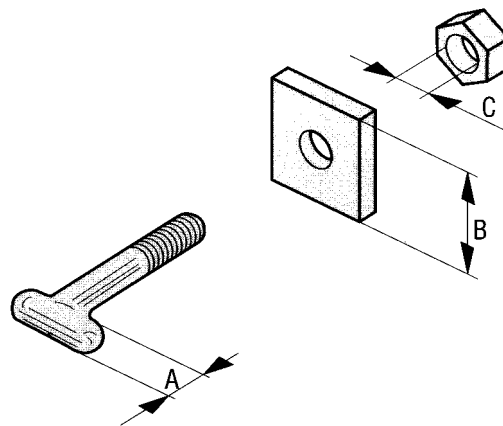
- Capsule per denti frontali e rovesci
- Adapters for front loaders and backhoes teeth
- Hülsen für Lader- und Heckbaggerzähne
- Adapteurs pour dents frontales et retro



| NS. RIF. OUR REF. U/REF. NOTRE REF. | PESO (KG) WEIGHT GEWICHT POIDS | DIMENSIONI - DIMENSIONS ABMESSUNGEN - DIMENSIONS | | | DENTE TEETH ZÄHNE DENT |
|--|---|---|-----|-----|---------------------------------|
| | | A | B | C | |
| | | 300 H | 1,3 | 120 | |

| | | | | | |
|--------------|-----|-----|------|----|-------------------|
| 400 H | 1,8 | 150 | 77.5 | 57 | 4000 BT - 4000 FN |
|--------------|-----|-----|------|----|-------------------|

- Tiranti per denti frontali e rovesci
- Tie rods for front loaders and backhoes teeth
- Sicherung für Lader- und Heckbaggerzähne
- Tiges pour dents frontales et retro



| NS. RIF. OUR REF. U/REF. NOTRE REF. | PESO (KG) WEIGHT GEWICHT POIDS | DIMENSIONI - DIMENSIONS ABMESSUNGEN - DIMENSIONS | | | DENTE TEETH ZÄHNE DENT |
|--|---|---|----|------------|---------------------------------|
| | | A | B | C | |
| 5 ST | 0.074 | Ø 10 | 25 | M10 X 1,5 | 3000 BT - 3000 FN |
| 10 S | 0.152 | Ø 12 | 40 | M12 X 1,25 | 4000 BT - 4000 FN - 5000 FN |
| 15 S | 0.158 | Ø 12 | 40 | M12 X 1,25 | 7500 BT - 7500 FN - 8000 FN |
| 20 S | 0.244 | Ø 14 | 50 | M14 X 1,5 | 10000 FN - 15500 FN |

Tutti i numeri, simboli, e denominazioni originali sono usati soltanto per riferimento, e non si deve in alcun modo intendere che i pezzi elencati siano originali.
 All manufacturers' name, numbers, symbols and descriptions are used for reference purpose only, and it is not implied that any part listed is the product of these manufacturers.