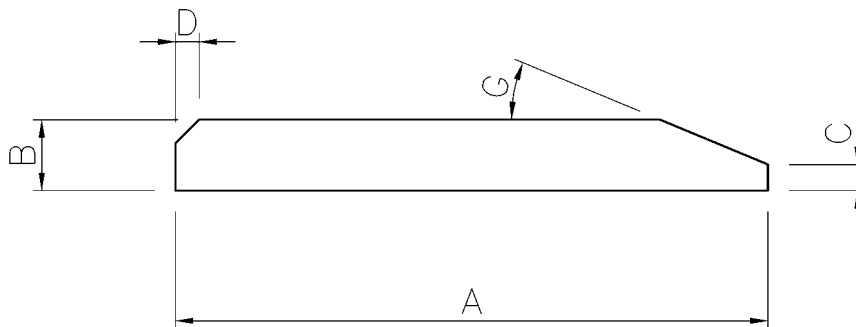


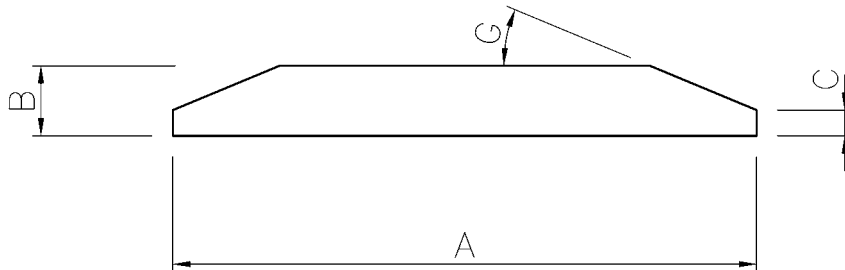
- Laminati ad uno smusso
- Single bevel steel profiles
- 1-fasiger Messerstahl
- Lames à un chanfrain



NS. RIF. OUR REF. U/REF. NOTRE REF.	DIMENSIONI - DIMENSIONS ABMESSUNGEN - DIMENSIONS					PESO (Kg/m) WEIGHT GEWICHT POIDS	ACCIAIO STEEL STAHL-TYP ACIER
	A	B	C	D	G		
110 X 12	110	12	3	4	23,9°	9.6	TC20B - 29MBL
110 X 16	110	16	7	4	23,9°	13	TC20B - 29MBL
150 X 16	150	16	7	5	24°	17,9	TC20B
150 X 20	150	20	5	5	22,6°	21.7	TC20B
200 X 20	200	20	6	8	23°	29,6	TC20B
200 X 25	200	25	11	8	23°	36,7	TC20B
250 X 25	250	25	6	10	22,6°	44,8	TC20B
250 X 30	250	30	11	10	22,6°	55,8	TC20B
270 X 32	270	32	10	7	23°	63.1	DIAMOND 45
270 X 35	270	35	13	7	23°	69.1	DIAMOND 45
300 X 30	300	30	8	8	23°	66	DIAMOND 45
300 X 35	300	35	13	8	23°	77.7	DIAMOND 45
300 X 40	300	40	18	8	23°	89.4	DIAMOND 45

Tutti i numeri, simboli, e denominazioni originali sono usati soltanto per riferimento, e non si deve in alcun modo intendere che i pezzi elencati siano originali.
All manufacturers' name, numbers, symbols and descriptions are used for reference purpose only, and it is not implied that any part listed is the product of these manufacturers.

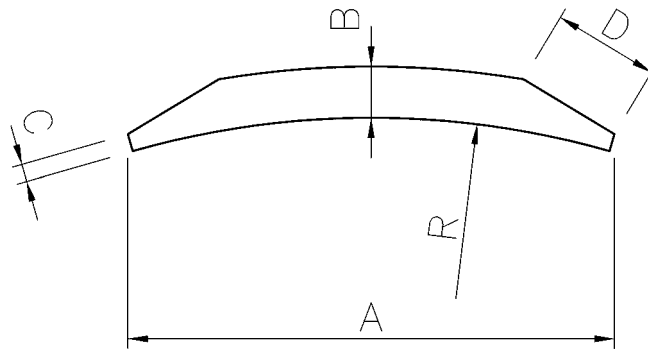
- Laminati a due smussi
- Double bevel steel profiles
- 2-fasiger Messerstahl
- Lames à deux chanfrain



NS. RIF. OUR REF. U/REF. NOTRE REF.	DIMENSIONI - DIMENSIONS ABMESSUNGEN - DIMENSIONS				PESO (Kg/m) WEIGHT GEWICHT POIDS	ACCIAIO STEEL STAHL-TYP ACIER
	A	B	C	G		
120 X 15	120	15	5	25°	12.2	29MBL
152,4 X 15,8	152.4	15.8	5	25°	17.3	29MBL - HE75
152,4 X 20	152.4	20	9	25°	21	29MBL - HE75
203,2 X 15,8	203.2	15.8	5	25°	23.6	29MBL - HE75
203,2 X 20	203.2	20	8	25°	27.7	29MBL - HE75
203,2 X 25	254	25	14	25°	35.4	29MBL - HE75
254 X 20	254	20	8	25°	35.3	29MBL - HE75
254 X 25	254	25	14	25°	45.3	29MBL - HE75
304,8 X 25,4	254	25.4	9.5	22,5°	55.98	29MBL
304,8 X 28,5	304.8	28.5	12.6	22,5°	63.4	29MBL
304,8 X 32	304.8	32	16.1	22,5°	71.77	29MBL
304,8 X 38	304.8	38	22.1	22,5°	86.13	29MBL
330 X 19	330	19	5	22,5°	45.5	29MBL
330 X 22	330	22	8	22,5°	53.28	29MBL
330 X 25	330	25	11	22,5°	61.05	29MBL
330 X 28,5	330	28.5	14.5	22,5°	70.11	29MBL
330 X 32	330	32	18	22,5°	79.18	29MBL
330 X 35	330	35	21	22,5°	86.95	29MBL
330 X 41	330	41	27	22,5°	102.5	29MBL
360 X 30	360	30	8	22,5°	75.6	29MBL
360 X 32	360	32	10	22,5°	81.3	29MBL
360 X 35	360	35	13	22,5°	89.7	29MBL
406 X 22	406	22	6	22,5°	65.3	29MBL
406 X 25	406	25	9	22,5°	74.8	29MBL
406 X 28,5	406	28.5	12.5	22,5°	86	29MBL
406 X 32	406	32	16	22,5°	97.1	29MBL
406 X 35	406	35	19	22,5°	106.7	29MBL
406 X 41	406	41	25	22,5°	125.8	29MBL

Tutti i numeri, simboli, e denominazioni originali sono usati soltanto per riferimento, e non si deve in alcun modo intendere che i pezzi elencati siano originali.
All manufacturers' name, numbers, symbols and descriptions are used for reference purpose only, and it is not implied that any part listed is the product of these manufacturers.

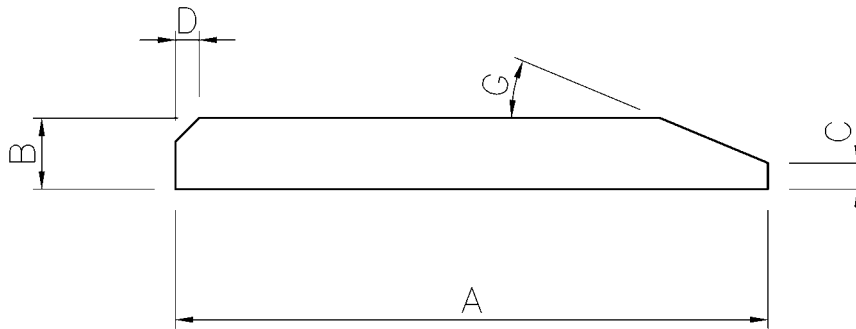
- Laminati curvi
- Curved profiles
- Gewölbte Messerstähle
- Profils courbés



NS. RIF. OUR REF. U/REF. NOTRE REF.	DIMENSIONI - DIMENSIONS ABMESSUNGEN - DIMENSIONS					PESO (Kg/m) WEIGHT GEWICHT POIDS	ACCIAIO STEEL STAHL-TYP ACIER
	A	B	C	D	R		
152.4x16	152.4	16	5.5	33.3	273	17.3	29MBL - HE80
152.4x19	152.4	19	8.5	33.3	273	20.3	29MBL - HE80
203x16	203	16	5.5	33.3	273	23.5	29MBL - HE80
203x19	203	19	8.5	33.3	273	28.2	29MBL - HE80
203x25	200	25	14.5	33.3	273	38.1	29MBL - HE80

Tutti i numeri, simboli, e denominazioni originali sono usati soltanto per riferimento, e non si deve in alcun modo intendere che i pezzi elencati siano originali.
 All manufacturers' name, numbers, symbols and descriptions are used for reference purpose only, and it is not implied that any part listed is the product of these manufacturers.

- Laminato ad uno smusso bonificato a 6 metri
- 6 meters single bevel heat-treated steel profiles
- 1-fasiger vergüteter Messerstahl in Längen von 6 Metern
- Lames bonifiées à un chanfrain en longueurs de 6 mètres



NS. RIF. OUR REF. U/REF. NOTRE REF.	DIMENSIONI - DIMENSIONS ABMESSUNGEN - DIMENSIONS					PESO (Kg/m) WEIGHT GEWICHT POIDS	ACCIAIO STEEL STAHL-TYP ACIER
	A	B	C	D	G		
150 X 16	150	16	7	5	24°	17,9	TC20B
150 X 20	150	20	5	5	22,6°	21,7	TC20B
200 X 20	200	20	6	8	23°	29,6	TC20B
200 X 25	200	25	11	8	23°	36,7	TC20B
250 X 25	250	25	6	10	22,6°	44,8	TC20B
250 X 30	250	30	11	10	22,6°	55,8	TC20B
300 X 30	300	30	8	8	23°	66	DIAMOND 45
300 X 35	300	35	13	8	23°	77,7	DIAMOND 45
300 X 40	300	40	18	8	23°	89,4	DIAMOND 45

Tutti i numeri, simboli, e denominazioni originali sono usati soltanto per riferimento, e non si deve in alcun modo intendere che i pezzi elencati siano originali.
All manufacturers' name, numbers, symbols and descriptions are used for reference purpose only, and it is not implied that any part listed is the product of these manufacturers.