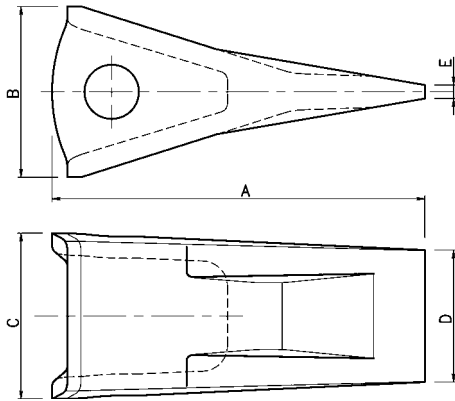


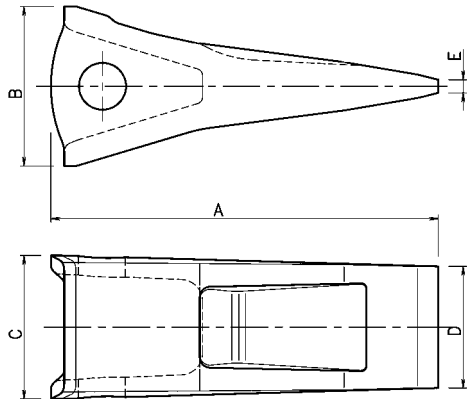
- Punta per benne retro e frontali
- Tips for loaders and backhoes
- Spitzen passend für Ladeschaufel und Heckbagger
- Pointes pour pelles et retro



NS. RIF. OUR REF. U/REF. NOTRE REF.	N. ORIGINALE ORIGINAL P/N ORIGINAL-NR. N. ORIGINAL	PESO (KG) WEIGHT GEWICHT POIDS	DIMENSIONI - DIMENSIONS ABMESSUNGEN - DIMENSIONS					PORTAPUNTA ADAPTER HALTER ADAPTEUR	PERNO PIN KEIL AXE
			A	B	C	D	E		
KM 5	20X-70-14160	2,4	175	76.4	77	65	6	KM 6	KM 7
KM 10	202-70-12130	3.9	202	89	92	85	7.6	KM 11.1	KM 12
KM 15	205-70-19570	4.1	219	101	96	78	8	KM 16.1/2/3	KM 17
KM 20	207-70-14151	6,3	244	114	120	93.6	8	KM 21.1/2/3	KM 22
KM 25	208-70-14152	9.4	274	121	151	113	10	KM 26.1/2/3	KM 27
KM 40	209-70-54210	24.4	370	178.3	174.3	140.4	19	KM 41.1/2/3	KM 42
KM 50	21N-70-14290	41	440	242	180	163	25	KM 51	KM 52

Tutti i numeri, simboli, e denominazioni originali sono usati soltanto per riferimento, e non si deve in alcun modo intendere che i pezzi elencati siano originali.
All manufacturers' name, numbers, symbols and descriptions are used for reference purpose only, and it is not implied that any part listed is the product of these manufacturers.

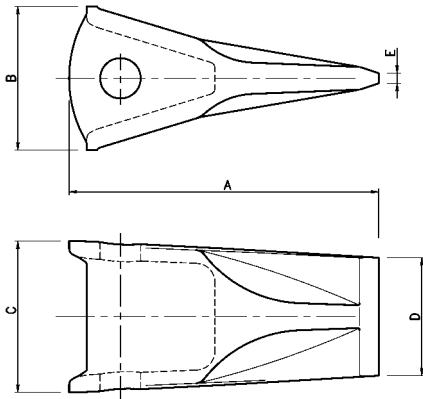
- Punta heavy duty long per benne retro e frontali
- Heavy duty long tips for loaders and backhoes
- Heavy-Duty-Long-Spitzen für Ladeschaufel und Heckbagger
- Pointes heavy duty long pour pelles et retro



NS. RIF. OUR REF. U/REF. NOTRE REF.	N. ORIGINALE ORIGINAL P/N ORIGINAL-NR. N. ORIGINAL	PESO (KG) WEIGHT GEWICHT POIDS	DIMENSIONI - DIMENSIONS ABMESSUNGEN - DIMENSIONS					PORTAPUNTA ADAPTER HALTER ADAPTEUR	PERNO PIN KEIL AXE
			A	B	C	D	E		
KM 14	205-70-68260	6.5	263	109	98	83	9	KM 16.1/2/3	KM 17
KM 19	207-70-14280	9.4	284	118.3	120	100	8	KM 21.1/2/3	KM 22
KM 24	208-70-14270	13.6	314	129.1	154	125	10	KM 26.1/2/3	KM 27
KM 39	209-70-54710							KM 41.1/2/3	KM 42
KM 49	21N-72-14410							KM 51	KM 52

Tutti i numeri, simboli, e denominazioni originali sono usati soltanto per riferimento, e non si deve in alcun modo intendere che i pezzi elencati siano originali.
All manufacturers' name, numbers, symbols and descriptions are used for reference purpose only, and it is not implied that any part listed is the product of these manufacturers.

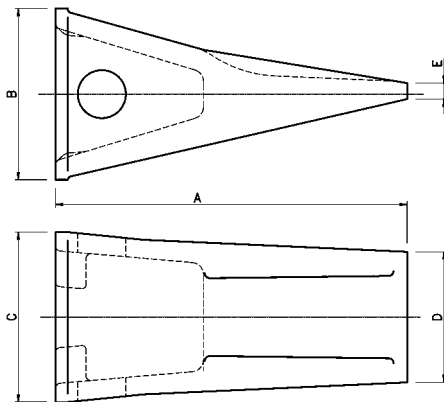
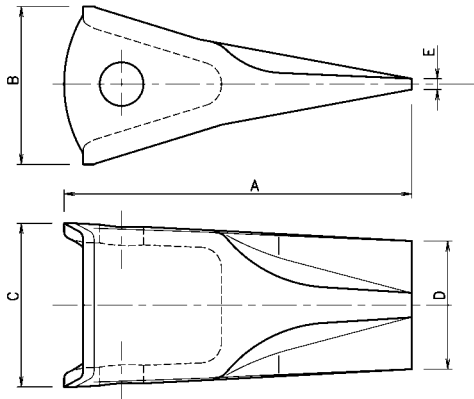
- Punte „V“ per benne retro e frontali
- „V“ tips for loaders and backhoes
- „V“-Spitzen für Ladeschaufel und Heckbagger
- Pointes „V“ pour pelles et retro



NS. RIF. OUR REF. U/REF. NOTRE REF.	N. ORIGINALE ORIGINAL P/N ORIGINAL-NR. N. ORIGINAL	PESO (KG) WEIGHT GEWICHT POIDS	DIMENSIONI - DIMENSIONS ABMESSUNGEN - DIMENSIONS					PORTAPUNTA ADAPTER HALTER ADAPTEUR	PERNO PIN KEIL AXE
			A	B	C	D	E		
KM 5 V		2.4	175	76.4	77	65	5	KM 6	KM 7
KM 10 V		3,6	202	89	92	76	6	KM 11.1	KM 12
KM 15 V	20Y-70-K4030	4	219	101	96	78	6	KM 16.1/2/3	KM 17
KM 20 V	207-70-K2530	6.4	244	114	120	99.6	8	KM 21.1/2/3	KM 22
KM 25 V	208-70-K1420	10.4	300	121	151	113	10	KM 26.1/2/3	KM 27
KM 40 V	209-70-54720	23.5	390	178.3	174.3	142	14	KM 41.1/2/3	KM 42
KM 50 V	21N-72-14420	40.5	460	242	180	165	18	KM 51	KM 52

Tutti i numeri, simboli, e denominazioni originali sono usati soltanto per riferimento, e non si deve in alcun modo intendere che i pezzi elencati siano originali.
All manufacturers' name, numbers, symbols and descriptions are used for reference purpose only, and it is not implied that any part listed is the product of these manufacturers.

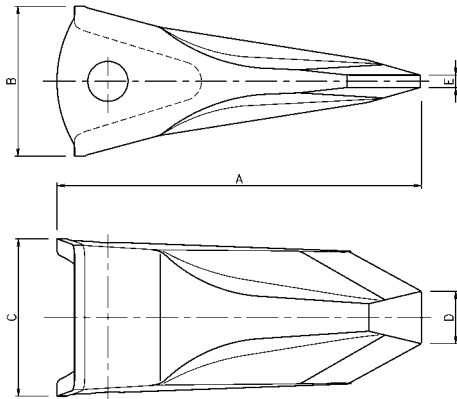
- Punta per benne frontali
- Tips for front buckets
- Spitzen für Ladeschaufel
- Pointes pour pelles



NS. RIF. OUR REF. U/REF. NOTRE REF.	PARTIC. ITEM TYP DETAIL	N. ORIGINALE ORIGINAL P/N ORIGINAL-NR. N. ORIGINAL	PESO (KG) WEIGHT GEWICHT POIDS	DIMENSIONI - DIMENSIONS ABMESSUNGEN - DIMENSIONS					PORTAPUNTA ADAPTER HALTER ADAPTEUR	PERNO PIN KEIL AXE
				A	B	C	D	E		
KM 10F	1	419-71-H2310	3.6	202	91	92	76	7	KM 11F/1	KM 12
KM 20F	1	421-71-H2E80	7.3	254	116	120	94	8	KM 21F/1	KM 22
KM 30	2	426-847-1110	11.8	285	139	138	106	13	KM 31F/1	KM 32

Tutti i numeri, simboli, e denominazioni originali sono usati soltanto per riferimento, e non si deve in alcun modo intendere che i pezzi elencati siano originali.
All manufacturers' name, numbers, symbols and descriptions are used for reference purpose only, and it is not implied that any part listed is the product of these manufacturers.

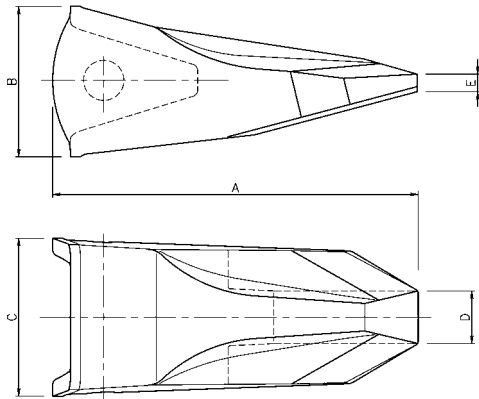
- Punta penetration plus per benne retro e frontali
- Penetration plus tips for loaders and backhoes
- Penetration-Plus-Spitzen für Ladeschaufel und Heckbagger
- Pointes penetration plus pour pelles et retro



NS. RIF. OUR REF. U/REF. NOTRE REF.	N. ORIGINALE ORIGINAL P/N ORIGINAL-NR. N. ORIGINAL	PESO (KG) WEIGHT GEWICHT POIDS	DIMENSIONI - DIMENSIONS ABMESSUNGEN - DIMENSIONS					PORTAPUNTA ADAPTER HALTER ADAPTEUR	PERNO PIN KEIL AXE
			A	B	C	D	E		
KM 10RC			240	94	97	32	8	KM 11.1	KM 12
KM 15RC		5.9	254	105	100	38	8	KM 16.1/2/3	KM 17
KM 20RC		9.6	290	120	126	42	10	KM 21.1/2/3	KM 22
KM 25RC			360	129.1	154	54	12	KM 26.1/2/3	KM 27
KM 40RC			420	178.3	174.3	62	18	KM 42.1/2/3	KM 42

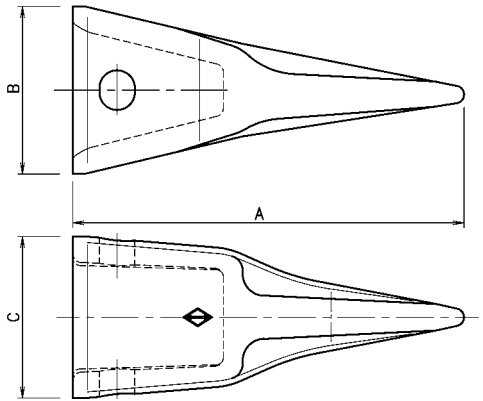
Tutti i numeri, simboli, e denominazioni originali sono usati soltanto per riferimento, e non si deve in alcun modo intendere che i pezzi elencati siano originali.
All manufacturers' name, numbers, symbols and descriptions are used for reference purpose only, and it is not implied that any part listed is the product of these manufacturers.

- Punta per heavy duty abrasion per benne frontali
- Heavy duty abrasion tips for front buckets
- Heavy-Duty-Abrasion-Spitzen für Ladeschaufel
- Pointes pour pelles



NS. RIF. OUR REF. U/REF. NOTRE REF.	N. ORIGINALE ORIGINAL P/N ORIGINAL-NR. N. ORIGINAL	PESO (KG) WEIGHT GEWICHT POIDS	DIMENSIONI - DIMENSIONS ABMESSUNGEN - DIMENSIONS					PORTAPUNTA ADAPTER HALTER ADAPTEUR	PERNO PIN KEIL AXE
			A	B	C	D	E		
KM 10RP2		6.7	240	94	97	32	11.1	KM 11F/1	KM 12
KM 20RP2		12	290	120	126	42	14.1	KM 21F/1	KM 22
KM 30RP2		27.2	380	150	150	56	20.2	KM 31F/1	KM 32

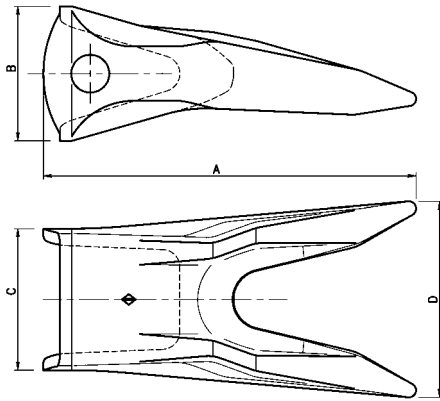
- Punta sharp
- Sharp tips
- Sharp-Spitzen
- Pointes sharp



NS. RIF. OUR REF. U/REF. NOTRE REF.	N. ORIGINALE ORIGINAL P/N ORIGINAL-NR. N. ORIGINAL	PESO (KG) WEIGHT GEWICHT POIDS	DIMENSIONI - DIMENSIONS ABMESSUNGEN - DIMENSIONS			PORTAPUNTA ADAPTER HALTER ADAPTEUR	PERNO PIN KEIL AXE
			A	B	C		
KM 10SC						KM 11.1	KM 12
KM 15SC	20Y-70-K4060	5.1	263	105	98	KM 16.1/2/3	KM 17
KM 20SC	20Y-70-K4070	6.2	285	120	126	KM 21.1/2/3	KM 22
KM 25SC	208-70-K1340	11.7	330	129.1	154	KM 26.1/2/3	KM 27
KM 40SC	209-70-54730					KM 41.1/2/3	KM 42

Tutti i numeri, simboli, e denominazioni originali sono usati soltanto per riferimento, e non si deve in alcun modo intendere che i pezzi elencati siano originali.
All manufacturers' name, numbers, symbols and descriptions are used for reference purpose only, and it is not implied that any part listed is the product of these manufacturers.

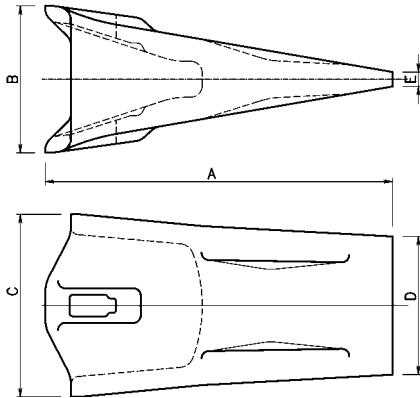
- Punta twin tiger
- Twin tiger tips
- Twin-Tiger-Spitzen
- Pointes twin tiger



NS. RIF. OUR REF. U/REF. NOTRE REF.	N. ORIGINALE ORIGINAL P/N ORIGINAL-NR. N. ORIGINAL	PESO (KG) WEIGHT GEWICHT POIDS	DIMENSIONI - DIMENSIONS ABMESSUNGEN - DIMENSIONS				PORTAPUNTA ADAPTER HALTER ADAPTEUR	PERNO PIN KEIL AXE
			A	B	C	D		
KM 10TT							KM 11.1	KM 12
KM 15TT			259	105	98	132	KM 16.1/2/3	KM 17
KM 20TT			285	120	126	166	KM 21.1/2/3	KM 22
KM 25TT			330	129.1	154	220	KM 26.1/2/3	KM 27

Tutti i numeri, simboli, e denominazioni originali sono usati soltanto per riferimento, e non si deve in alcun modo intendere che i pezzi elencati siano originali.
All manufacturers' name, numbers, symbols and descriptions are used for reference purpose only, and it is not implied that any part listed is the product of these manufacturers.

- Punta a bloccaggio verticale
- Vertical locking tips
- Spitzen mit senkrechtem Befestigungs-Stift
- Pointes avec blocage vertical



NS. RIF. OUR REF. U/REF. NOTRE REF.	N. ORIGINALE ORIGINAL P/N ORIGINAL-NR. N. ORIGINAL	PESO (KG) WEIGHT GEWICHT POIDS	DIMENSIONI - DIMENSIONS ABMESSUNGEN - DIMENSIONS					PORTAPUNTA ADAPTER HALTER ADAPTEUR	CHIAVETTA KEY KEIL AXE	GOMMINO RUBBER GUMMI BLOC
			A	B	C	D	E			
KM 120	205-70-74272	4	213	95	108	91.6	7	20Y-70-14180	205-70-74281	205-70-74291
KM 130	207-70-34212	6.7	240	105	127	96	10	207-70-34151	207-70-34221	205-70-74291
KM 140	208-70-34211	10,6	270	125.5	144.5	120.5	16	208-70-34150	208-70-34220	208-70-34191

Tutti i numeri, simboli, e denominazioni originali sono usati soltanto per riferimento, e non si deve in alcun modo intendere che i pezzi elencati siano originali.
All manufacturers' name, numbers, symbols and descriptions are used for reference purpose only, and it is not implied that any part listed is the product of these manufacturers.