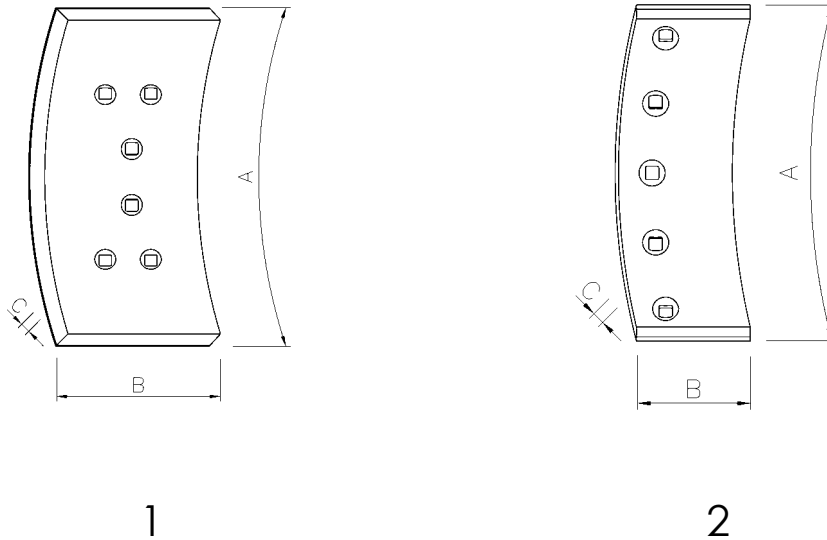


- Angolari per grader
- End bits for graders
- Grader-Ecken
- Coins pour grader



N. ORIGINALE (S-D) ORIGINAL P/N (L-R) ORIGINAL-NR. N. ORIGINAL	PARTIC. ITEM TYP DETAIL	PESO (KG) WEIGHT GEWICHT POIDS	DIMENSIONI - DIMENSIONS ABMESSUNGEN - DIMENSIONS				N. FORI HOLES BOHR. TROUS	MODELLO MODEL MODELL MODELE
			A (mm)	B (mm)	C (mm)	Ø Bolt (")		
232-70-12130	2	8,2	465	152	16	5/8	5	GD310RC-3A, GD500R-1
232-70-12131								GD37-6H
232-70-12150	1	8,3	421	229	13	5/8	5	GD28AC-1, GD300A-1, GD31RC-3A
232-70-12160	1	8,3	421	229	13	5/8	5	GD500R-1, GD405A-1, GD37-6H
232-70-52180	2	8,4	470	152	16	5/8	5	GD625A-1, GD600R-3
232-70-52190	1	10,8	485	229	13	5/8	6	GD523A-1, GD525A-1, GD623A-1
232-70-52191	1	13,4	603	229	13	5/8	7	GD405A-1, GD505A-2, GD505R-2
232-70-52980	1	12,2	596	229	13	5/8	6	
233-70-12150	2	7,9	451	152	16	5/8	4	GD31RC-3A
233-70-12160	2	7,9	451	152	16	5/8	4	
234-70-12214	2	9,5	553	156	16	5/8	5	GD40HT-2, GD705R-2
234-70-12232/42	1	13,3	560	280	13	5/8	6	
234-70-12233	1	11,8	529	229	13	5/8	6	GD705R-2
234-70-12234								GD40HT-2
234-70-12650	1	13,1	632	229	13	5/8	6	
234-70-32230	2	14,2	501	203	19	3/4	6	GD705A-4
234-70-32240	1	17,3	615	280	13	3/4	6	GD825A-1
234-70-32330								GD705A-4
234-70-32440								GD825A-1
236-70-22360								GD28AC-1, GD300A-1
237-70-22150	1	12,2	558	229	13	5/8	7	
237-870-1120	2	6,7	423	152	16	5/8	4	GD28AC-1
237-870-1130	2	6,7	423	152	16	5/8	4	GD300A-1

Tutti i numeri, simboli, e denominazioni originali sono usati soltanto per riferimento, e non si deve in alcun modo intendere che i pezzi elencati siano originali.
All manufacturers' name, numbers, symbols and descriptions are used for reference purpose only, and it is not implied that any part listed is the product of these manufacturers.